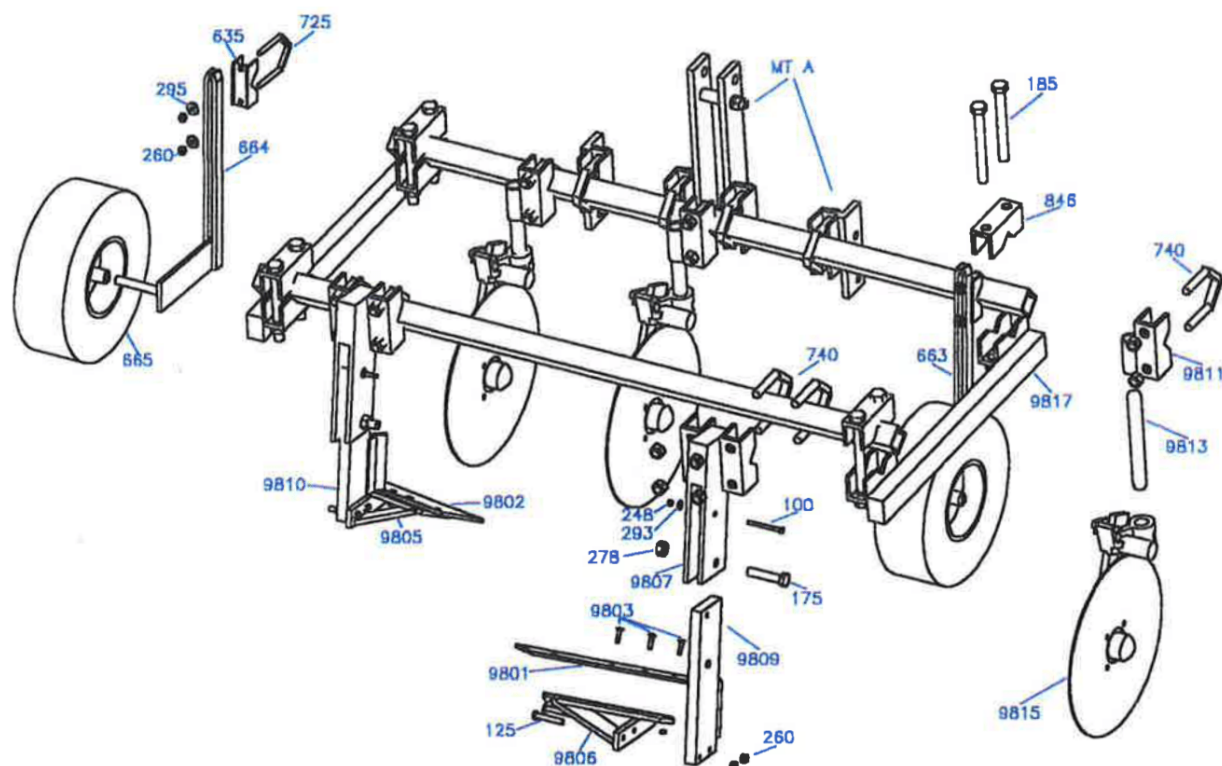


MECHANICAL TRANSPLANTER

MODEL 98 PARTS LIST



100	3/8x4" Hex Head Cap Screw	846	Large Toolbar Clamp
125	1/2x3-1/4" Hex Head Cap Screw	9801	Left Undercutting Knife
175	7/8x4" Hex Head Cap Screw	9802	Right Undercutting Knife
185	1x9" Hex Head Cap Screw	9803	Knife Attaching Bolts
248	3/8" Nylock Nut	9805	Right Angled Knife Bracket
260	1/2" Finished Hex Nut	9806	Left Angled Knife Bracket
278	7/8" Finished Hex Nut	9807	Upper Knife Bracket
293	3/8" U.S.S. Flat Washer	9809	Left Lower Knife Bracket
295	1/2" U.S.S. Flat Washer	9810	Right lower Knife Bracket
635	Gauge Wheel Clamp	9811	Bracket for Mounting Coulters
663	Left Gauge Wheel Bracket	9813	Shank for Coulters
664	Right Gauge Wheel Bracket	9815	Spring Loaded Coulters
665	Gauge Wheel	9817	Frame Side
725	1/2" U-Bolt	MT A	A-Frame Hitch
740	7/8" U-Bolt		



1395 US 17 South
Elizabeth City, NC 27909
Phone:(252)264-2400

147 Hwy 32 North
Sunbury, NC 27979
Phone:(252)465-8614

5038 Old Raleigh Road
Wilson, NC 27893
Phone:(252)237-0006



www.bandsent.com