

MECHANICAL TRANSPLANTER MODEL 95 PARTS LIST

PART# DESCRIPTION

434 7/8 oilite bearing
 926 Sealed bearing for rollers
 942 Control pocket sprocket
 1919 1-1/4" Oilite bearing
 1925 Chain tightener sprocket
 1971 1980 & 95 mounting bracket plate
 5113 Hex flange block bearing
 8429 L-shaped seat & footrest bracket
 9003 Shank for coultter disc
 9005 Side arm
 9006 Rear brace mounting bracket
 9007 2-1/2" collar w/set screw
 9028 Cross bar
 9034 ML-8 1/2" U-bolt
 9042 Spring for plastic brake
 9065 Tire with rim
 9078 Dirt shield main arm
 9083 Clamp for side arms
 9301 Tire for Model 93 (5.9x15)
 9302 4 spoke rim
 9306 Rear wheel mounting bracket
 9312 Axle for 90AD press wheel
 9502 Left wire holder
 9503 Right wire holder
 9504 Wire holder guards
 9506 Drive rod
 9507 25 tooth drive sprocket
 9508 Main drive chain
 9509 Drive wheel hub
 9510 Wheel hub
 9511 Pocket drive chain
 9512 Wheel mtg. bracket
 9516 Chain tightener arm
 9517 Wheel axle
 9518 Sprocket & plate assembly
 9519 Pocket spring
 9520 Pocket spring holder
 9521 Right pocket wire holder
 9522 Left pocket wire holder
 9523 Head Alignment Bracket
 9524 Right pocket wire former

PART# DESCRIPTION

9525 Left pocket wire former
 9526 Pocket arm
 9527 Pocket cam
 9528 Left wire control bracket
 9529 Right wire control bracket
 9530 Right wire stop
 9531 Left wire stop
 9532 Right pocket complete
 9533 Left pocket complete
 9534 Pocket support bracket
 9562 Footrest
 9563 Seat and footrest mounting bracket
 9564 Right frame side
 9565 Left frame side
 9569 Right inner frame
 9570 Left inner frame
 9579 Left shank mounting bracket
 9580 Right shank mounting bracket
 9582 Lift chains
 9590 Fork to brace assembly
 9591 Fork assembly
 9592 Rear disc holder
 9593 Chain holder
 9595 Cone to side arm clamp
 9596 Seat and footrest mounting
 47000 Right center upright
 47001 Left center upright
 47005 Pipe spacer
 47006 A-frame lower bracket
 94825 Pipe spacer
 386P Shaft clip pin
 9003C 14" Coultter disc with hub
 9016L Tightening lever
 9025N Metal cone
 9594L Left Cone Holder
 9594R Right Cone Holder
 FMB500 7/8" 14 ga. machinery bushing
 FSC500 7/8" set collar
 FUB5824 5/8" U bolt for 2 X 4
 OE 77 Cushion seat with bracket



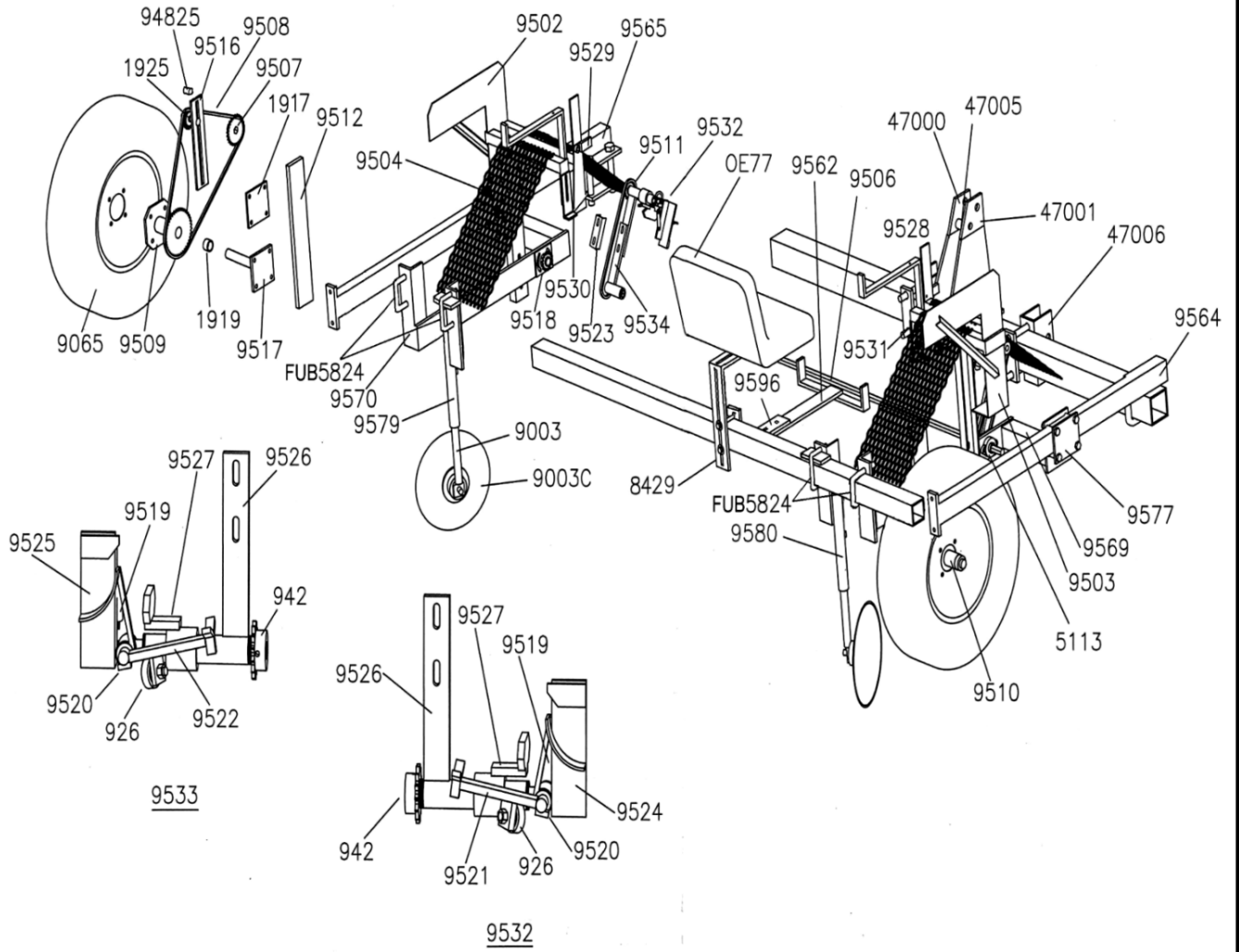
1395 US Hwy 17 South
 Elizabeth City, NC 27909
 Phone: (252)264-2400

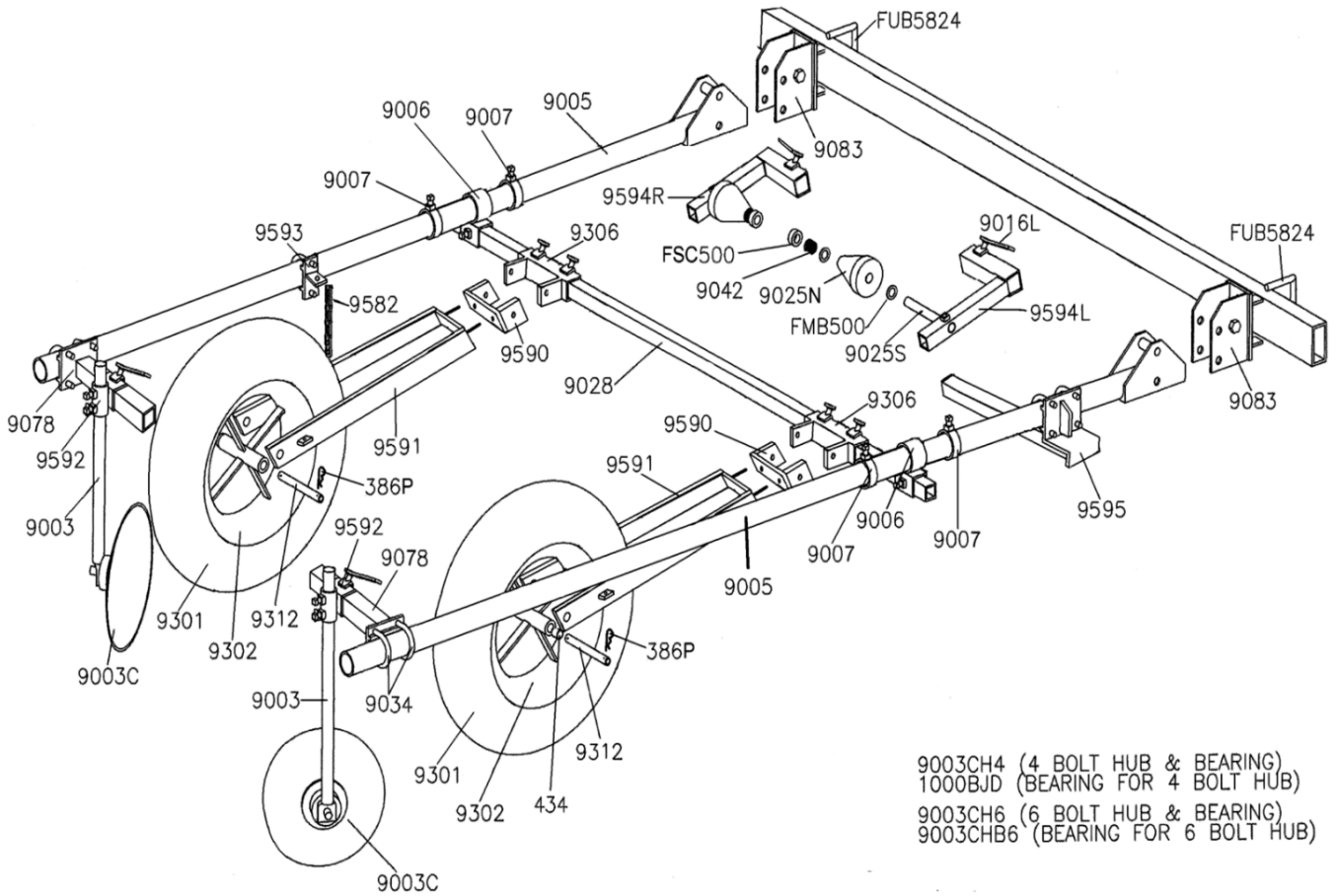
147 Hwy 32 North
 Sunbury, NC 27979
 Phone: (252)465-8614

5038 Old Raleigh Road
 Wilson, NC 27893
 Phone: (252)237-0006



MODEL 95





9003CH4 (4 BOLT HUB & BEARING)
 1000BJD (BEARING FOR 4 BOLT HUB)
 9003CH6 (6 BOLT HUB & BEARING)
 9003CHB6 (BEARING FOR 6 BOLT HUB)