

MECHANICAL TRANSPLANTER

MODEL 948 PARTS LIST

Part#	Description	Part#	Description
43	1/2" Bushing w/Shoulder	94808	Packing Wheel Swing Bracket
373	Chain Tightener Spring	94810	Packing Wheel Leg
416	3/4" Oilite Bushing	94814	Packing Wheel
634U	1/2" U-Bolt for 1-1/2 x 2-1/2" Bar	94815	Right Scissor Hitch Mounting for 4x4 Bar
637	Fiberglass Seat Bracket	94816	Left Scissor Hitch Mounting for 4x4 Bar
715	3/8" U-bolt with Nut	94819	Pocket Drive Shaft
726L	Long "L" Seat Bracket	94820	Bearing Plate w/Bearings
926	Sealed Bearing	94821	Left Weight Transfer Arm
999	Bearing and Guide Washer Complete	94822	Right Weight Transfer Arm
4600-18	Shelving and Carrousel Shaft	94823	Crank Arm
5020	1" Flange Block Bearing	94824	Lift Chain
5029	Chain Tightener Arm	94825	Pipe Spacer
5053B	Brass Adjustment Nut	94839	Seat and Tray Holder Arm
5074	Stainless Steel Shaft (per foot)	94840	Footrest
5098	1" Coupler	94841	Step
5111	1" Transtorque	94845	Chain Guard Strap
5112	35 Tooth Sprocket with 1-3/4" Hole	94846	Spring Holder Plate
5089	Nylon Roller	94848	Shelving Shaft Support
5150	Carrousel Arm	94849	Shelving Tray Support
6600-05	Carrousel Collar	94851	7/8" Transtorque
7490	Weight Transfer Spring	94852	Large Eyebolt
7491	5/16 x 3" Eyebolt	94876	Timing Arm
7760	Carrousel Mounting Arm	94885	Standard Pocket
50025	Shelving Tray	94885N	Narrow Pocket
91201	Unit Frame	FFB500W	7/8" Wide Flange Block Bearing
91211	Pocket Spool Side	FH443	5/8 x 3-1/2" Hex Head Cap Screw
91218	Control Disc	FH459	5/8 x 4-1/2" Hex Head Cap Screw
91242	Unit Chain Guard	FHN331	1/2 x 1" Nylon Hex Head Cap Screw
91243	Unit Guard	FSC400	5/8" Set Collar
91247	Unit Drive Chain	FUB5844	5/8" U-Bolt for 4x4 Bar
91258	40 Tooth Sprocket with 7/8" Hole	FUB7844	7/8" U-Bolt for 4x4 Bar
94802	Top Scissor Hitch Arm	H805 4x4	Pipe Stands for 4x4 Bar (Pair)
94803	Bottom Scissor Hitch Arm	OE 74	Fiberglass Seat
94805	Top Packing Wheel Arm	OE 77	Cushion Seat
94807	Bottom Packing Wheel Arm		



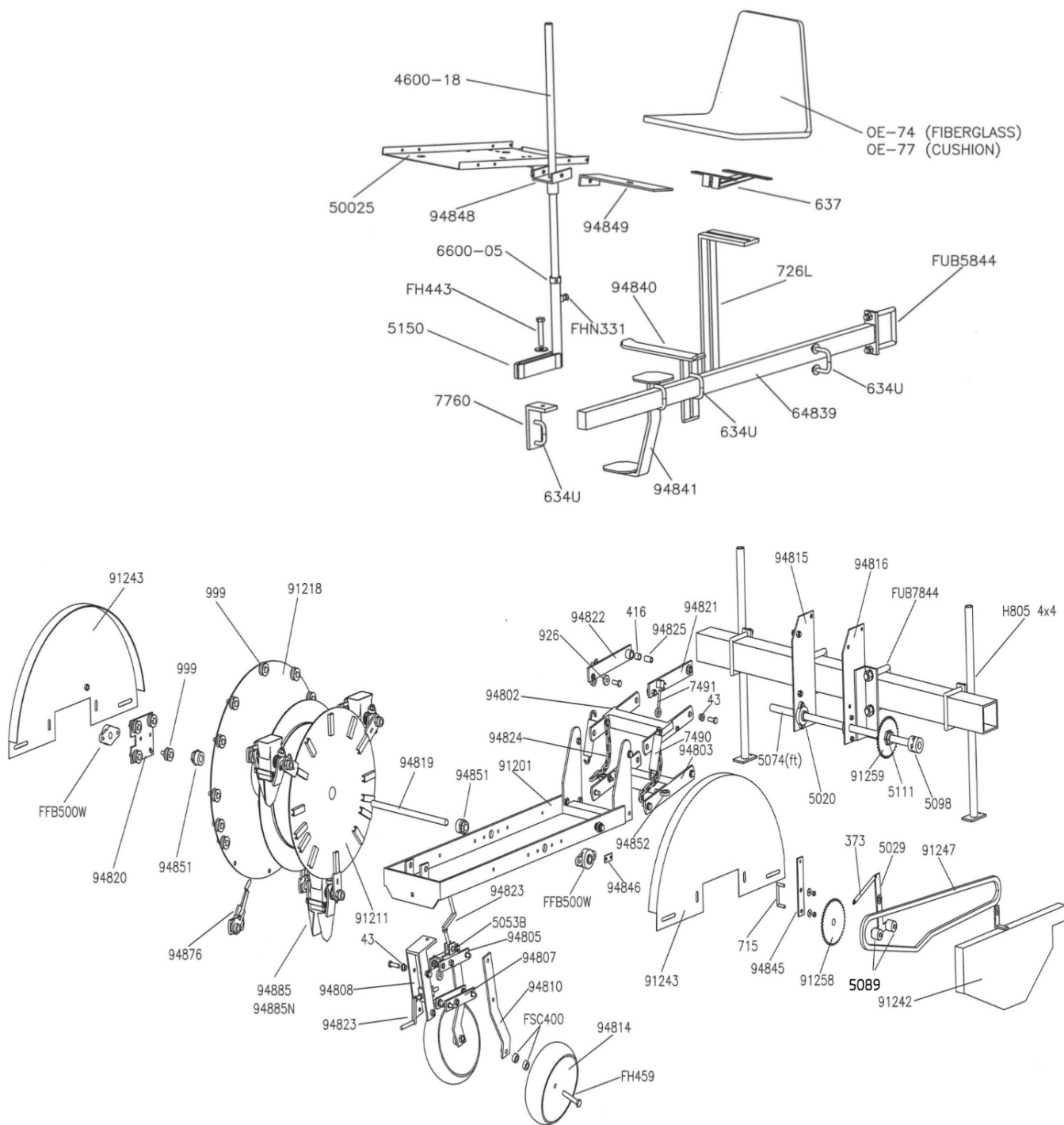
1395 US 17 South
Elizabeth City, NC 27909
Phone:(252)264-2400

147 Hwy 32 North
Sunbury, NC 27979
Phone:(252)465-8614

5038 Old Raleigh Road
Wilson, NC 27893
Phone:(252)237-0006

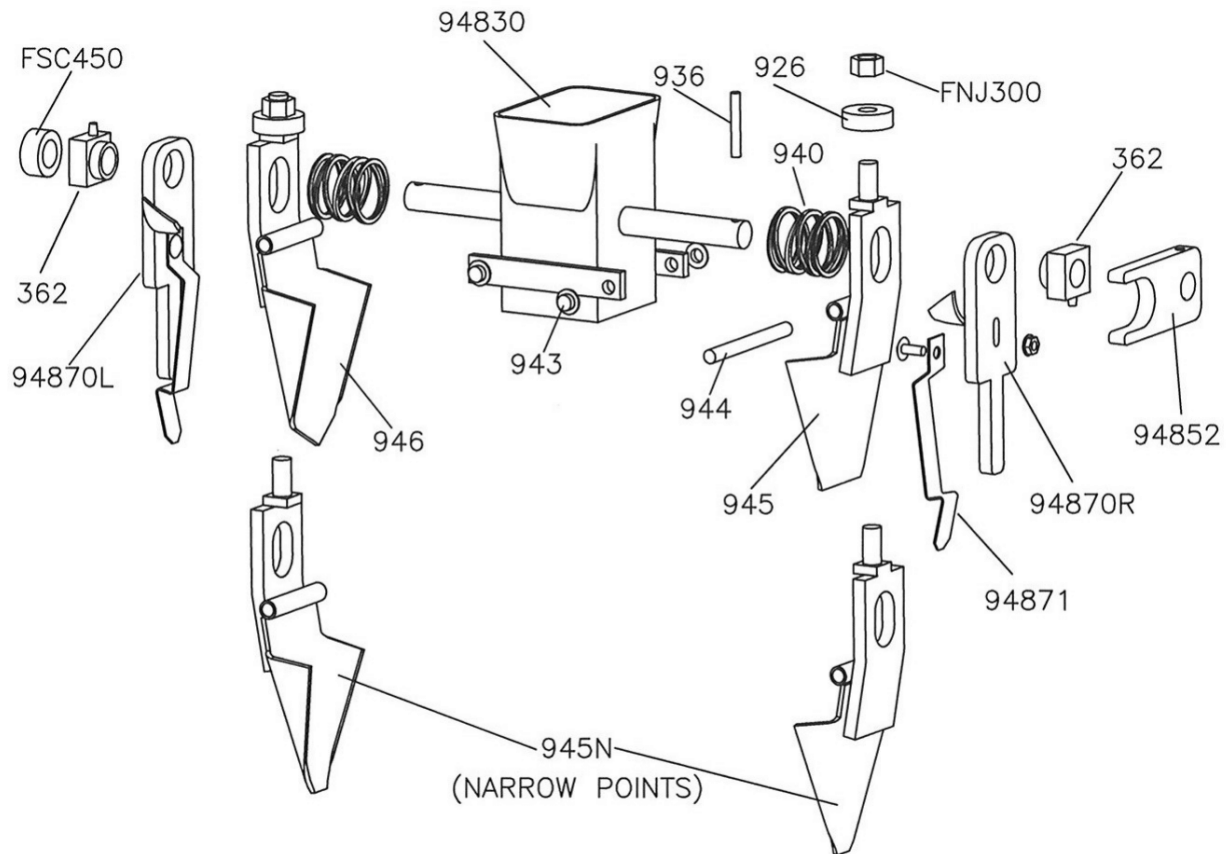


www.bandsent.com



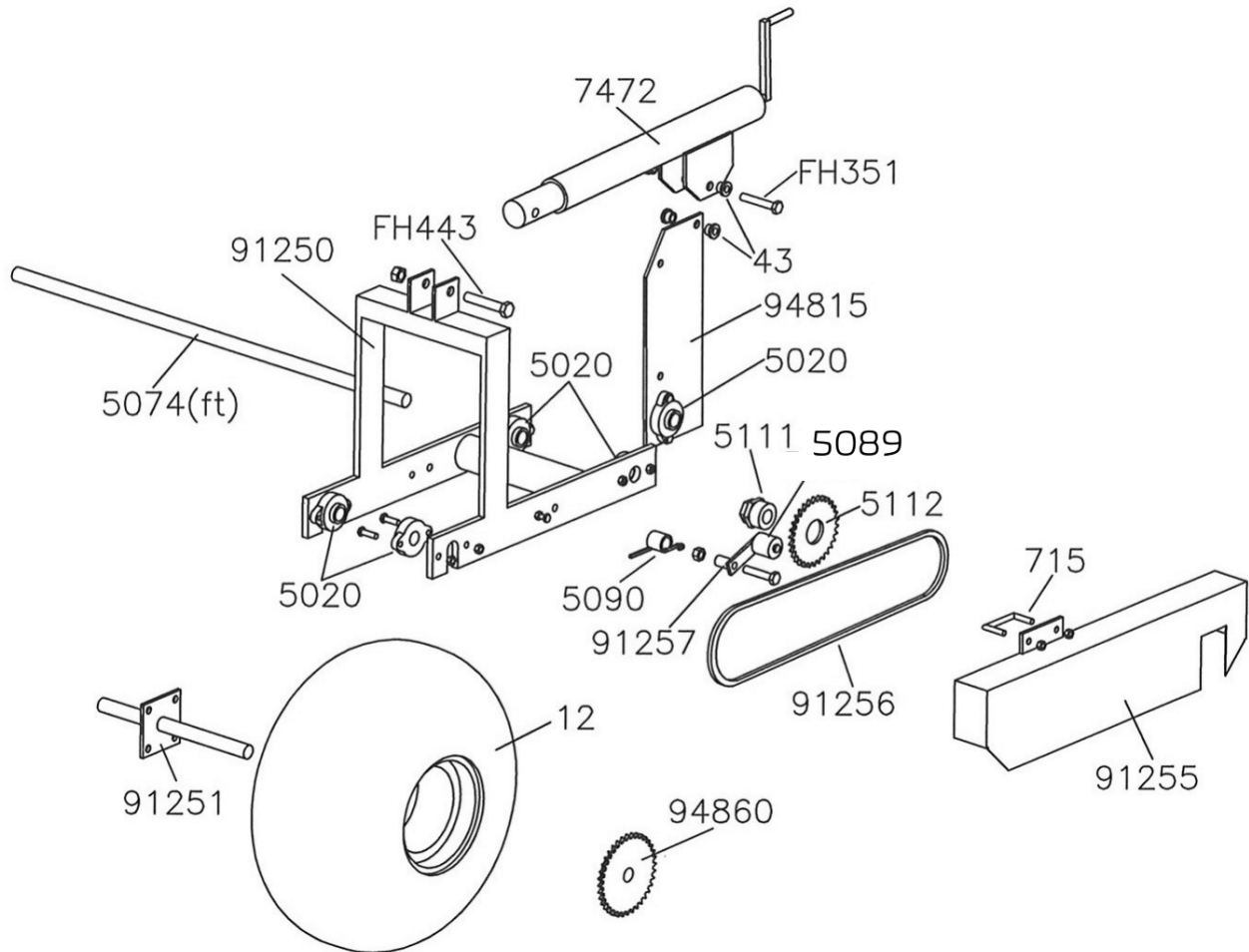
MODEL 948

94885 and 94885N Pocket Parts



362	Nylon Bushing for #348 Lower Shaft
926	Sealed Bearing
936	Roll Pin for mounting 935 & 942
940	Pocket Compression Spring
943	Cap Nut for #944 Hinge Pin
944	Pocket Hinge Pin
945	Left Pocket Piercing Point
945N	Narrow Pocket Point
946	Right Pocket Piercing Point
94830	Pocket Main Frame
94852	Large Eyebolt
94870L	Left Pocket Arm
94870R	Right Pocket Arm
94871	Pocket Clip Spring
FNJ300	1/2" Jam Nut
FSC450	3/4" Jam Nut

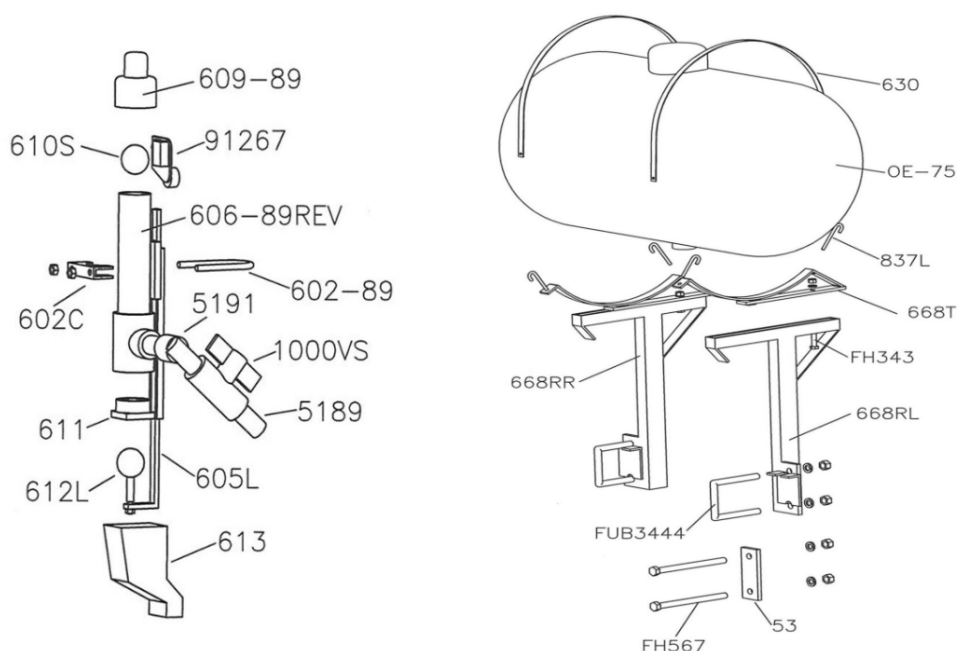
DRIVE PARTS FOR 948



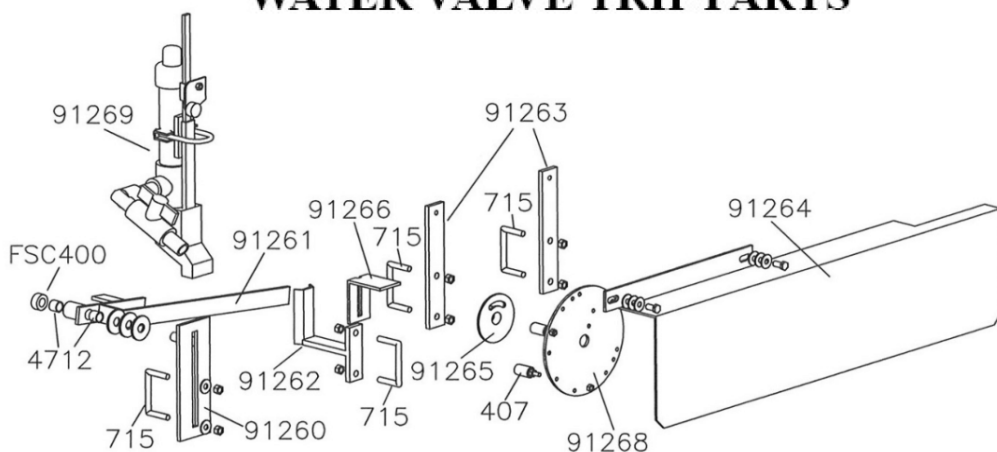
948 GAUGE WHEEL DRIVE PARTS

12	Direct Drive Tire & Rim
43	Bushing for Clamp
715	3/8" U-bolt with Nut
5020	1" Flange Block Bearing
5074	Stainless Steel shaft (per foot)
5090	7 Coil Chain Tightener Spring
5111	Transtorque Bushing
5112	35 Tooth Sprocket with 1-3/4" Hole
5124	Chain Tightener Complete
7472	Crank Jack
91250	Drive Frame
91251	Drive Wheel Hub
91255	Drive Chain Guard
91256	Drive Chain
91257	Drive Chain Tightener Arm
94815	Right Scissor Hitch Mounting for 4x4 Bar
94860	32 Tooth Sprocket
FH351	1/2 x 3-1/2" Hex Head Cap Screw
FH443	5/8 x 3-1/2" Hex Head Cap Screw

PARTS FOR WATER VALVE OPTION



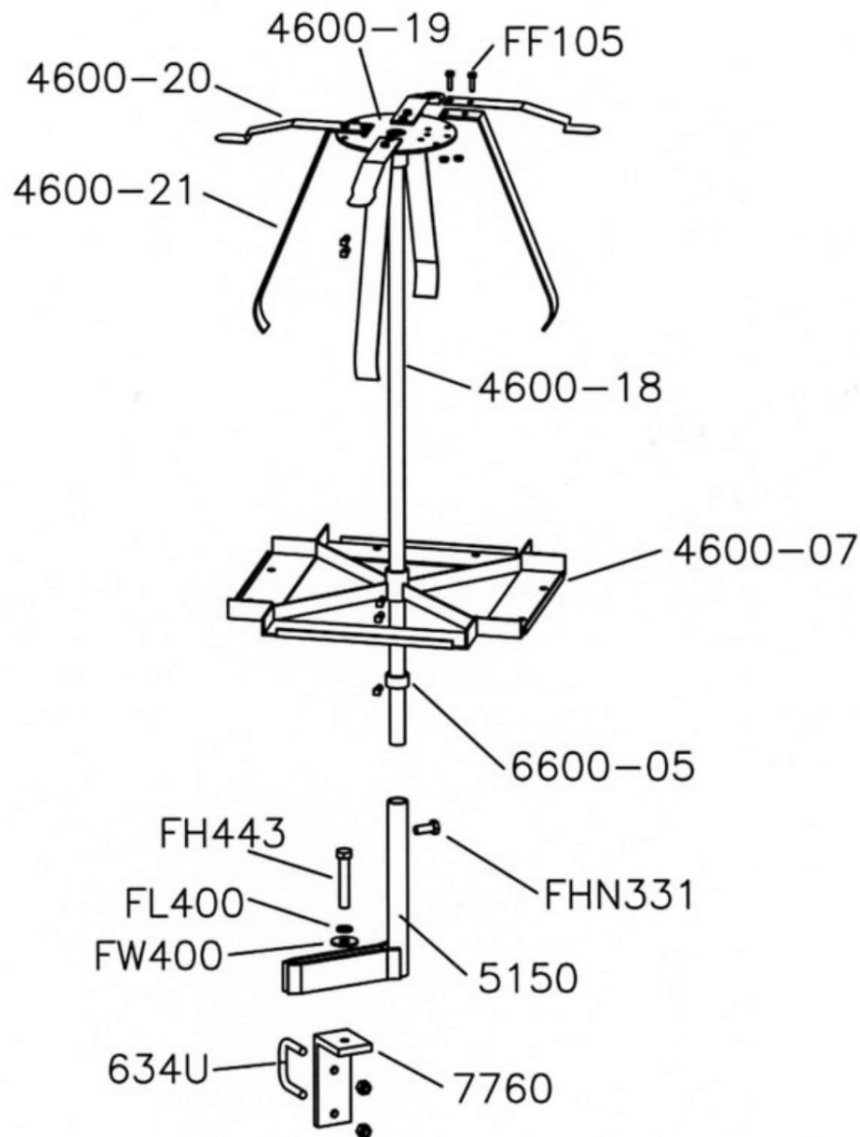
WATER VALVE TRIP PARTS



PARTS LIST FOR ABOVE

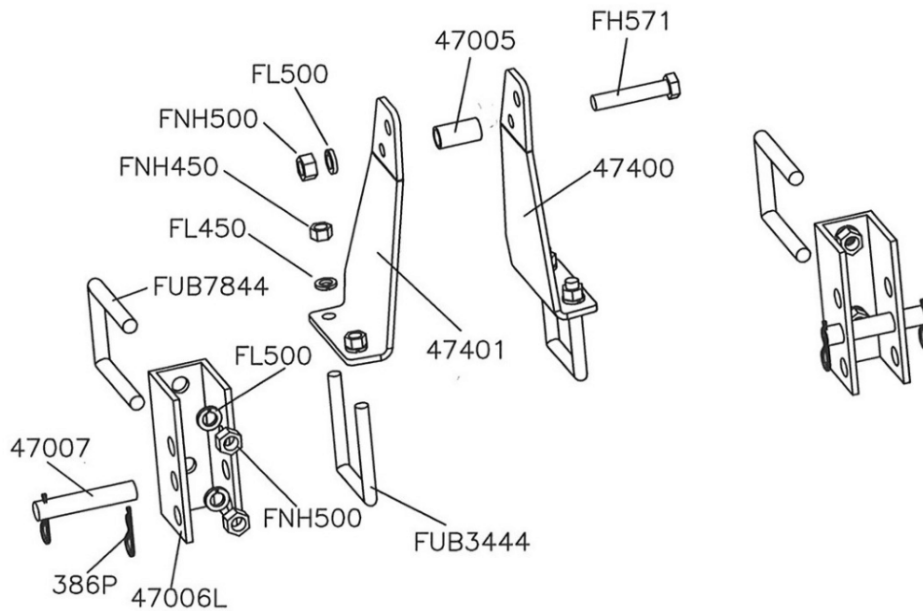
53	Securing Plate	837L	5/16" J-Bolt
407	Roller Water Trip	91260	Trip Mounting Bracket
602C	Special U-Bolt Clamp	91262	Valve Mounting Bracket
602-89	U-Bolt with Nuts	91264	Trip Guard
605L	L-Shaped Water Trip Rod and Ball	91265	Adjustment Dial
606-89	Cap with Nipple & Rubber sent after '88	91266	Trip Rest
609-89REV	Valve Housing	91267	Roller Trip
610S	Solid Non-Crush Flad Ball	91268	Trip Disc
611	Nylon Water Valve Seat	91269	Water Valve
612L	Ball Valve w/Brass Pin (after 2000)	94845	Guard Mounting Plate
613	Water Valve Spout	94861	Trip Arm
630	60 Gallon Barrel Hoop - each	FH343	1/2 x 2-1/2" Hex Head Cap Screw
668RL	Left Barrel Bracket for 4x4 & 4x7	FH567	3/4 x 9-1/2" Hex Head Cap Screw
668RR	Right Barrel Bracket for 4x4 & 4x7	FSC 400	5/8" Set Collar
668T	Barrel Saddle	FUB3444	3/4" U-Bolt for 4x4 Bar
1000VS	Water Valve Shut Off	OE 75	55 Gallon Poly Barrel
5191	90 Degree Elbow		

4-Tray Carrousel

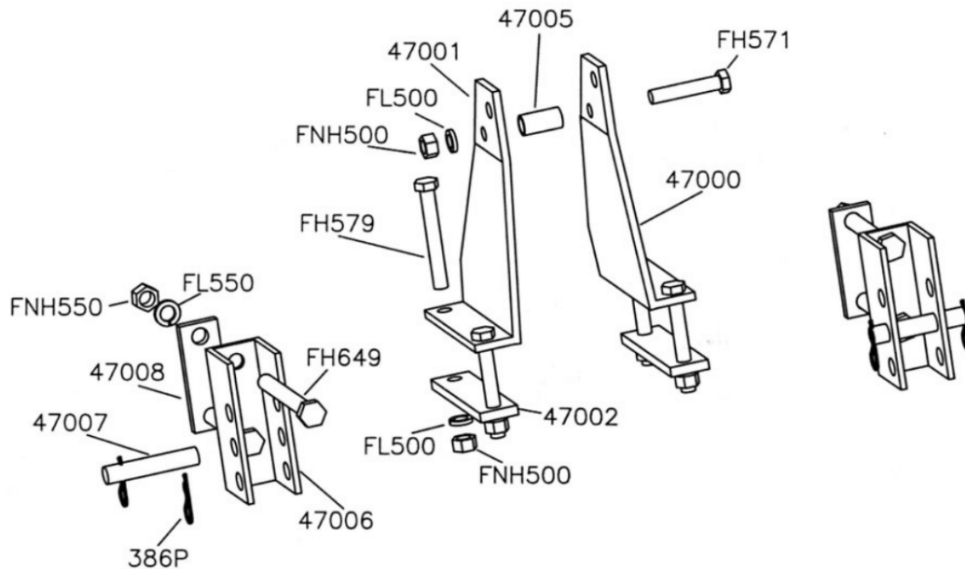


4600-07	Carrousel Tray Frame	6600-05	Carrousel Collar
4600-18	Carrousel Pipe	7760	Mounting Bracket
4600-19	Top Disc	FF105	1/4 X 3/4" Flange Screw
4600-20	Top Spring Plate	FH 443	5/8 x 3-1/2" Hex Head Cap Screw
4600-21	Back Spring Plate	FHN331	1/2 x 1" Nylon Hex Head Cap Screw
5150	Carrousel Arm	FL400	5/8" Lock Washer
634U	Cultivator U-Bolt	FW400	5/8" Flat Washer

MT 44L Toolbar Hitch for 4x4" Toolbar



MT 47 Toolbar Hitch for 4x7" Toolbar



386P	Clip Pin	FH571	7/8x4-1/2" Hex Head Cap Screw
47000	MT 47 Right Center Upright	FH649	1x9-1/2" Hex Head Cap Screw
47001	MT 47 Left Center Upright	FL450	3/4" Lock Washer
47002	Securing Plate for 7" Toolbar	FL500	7/8" Lock Washer
47005	Upright Spacing Pipe	FL550	1" Lock Washer
47006	Lower Bracket	FNH450	3/4" Hex Nut
47006L	Lower Bracket for MT 44L	FNH500	7/8" Hex Nut
47007	Lower Pin	FNH550	1" Hex Nut
47008	Securing Plate for 4" Toolbar	FUB7844	7/8" U-Bolt for 4x4 Bar
47400	MT 44 Right Center Upright		
47401	MT 44 Left Center Upright		