

# MECHANICAL TRANSPLANTER

## MODEL 900 MULCH PLANTER PARTS LIST

Part#	Description	Part#	Description
902	Unit Frame	1000	Main Pocket Drive Shaft
903	Foot Rest Bracket	1001	22" Main Control Disc
911	Round Pocket Insert for Jiffy 7	1002	Control Disc Bearing Plate Complete
914	Water Valve Complete with Brackets	1003	Double Disc Assembly for Pockets
915	Fiberglass Seat w/ Mounting Brackets	1004	Guide Washer for Bearing Assembly
919	Packer Cart Tire	1005	7/8" Drawbar Shaft
920	15" Rim Only (Not Shown)	1006	Spring Clip Pin for Drawbar Shaft
921	7.60 x 15" Tire Only (Not Shown)	1007	Front T-Mtg Bracket for Pot Tray
922	Tray for Pots	1008	Front Support Bracket for Soil Mix
922S	Short Tray for Pots (Not Shown)	1009	Rear Support Bracket for Soil Mix
923	Pocket Assembly Complete	1011	Packer Cart Rear Support Bracket
923S	Control Pocket Assembly w/ Sprocket	1012	Sprocket & Plate Assembly
926	Sealed Bearings for Pockets & Disc	1015	Water Trip Assembly Support Bracket
928	#41 Roller Chain for Control Pocket	1016	3/4" Flange Block
929	#40 Roller Chain for Plug Mix Drive	1017	Main Pocket Drive Shaft Sprocket
930	#50 Roller Chain for Straight Axle	1018	Key for 1017 Sprocket
931	#50 Roller Chain for High Rise Axle	1019	3/4" Collar
932	#40 Roller Chain High Ax. Jackshaft	1020	Packer Cart for Pots
933	Plug Mix Stainless Steel Inserts	1020S	Packer Cart for Soil Mix
935	Pocket Timing Plate with Bearing	1021	Pipe Spacer to Mount Packer Cart
936	Roll Pins for Mounting #935 & #942	1022	Tension Spring for Packer Cart
937	3/4" Hex Bearing	1023	Packer Cart Guide & Support Shaft
938	Left Pocket Mounting Arm	1024	Packer Cart Frame
939	Right Pocket Mounting Arm	1025	Axle for Packer Cart
940	Compression Spring to Close Pocket	1026	Rear Support Bracket for Pot Tray
941	Pocket Top Assembly	1027	Chain Guard for Control Chain
942	Control Pocket Sprocket	1028	Seat Mounting Bracket
943	Cap Nut for #944 Hinge Pins	1029	Main Drive Chain Tightener
944	Pocket Hinge Pin	1030	1 1/4" Collar for Axle
945	Left Pocket Piercing Point	1031	Axle Drive Sprocket w/ Ratchet Ring
946	Right Pocket Piercing Point	1032	Inside Ratchet Assembly
950	1/2 x 2" HHCS Plated	1033	1 1/4" Pillow Block to Mount Axle
951	1/2" Machinery Bushing	1034	Chain Guard Mounting Bracket
952	1/2" Jam Nut	1035	Drive Wheel Hub Assembly
953	1/2" Hex Nut Plated	1036 4	4' Main Drive Axle 1 1/4"
954	3/8" Hex Nut Plated	1036 5	5' Main Drive Axle 1 1/4"
955	3/8 x 1 1/2" HHCS Plated	1036 6	6' Main Drive Axle 1 1/4"
966	3/8 x 1 3/4" HHCS Plated	1037	Front Pipe Stand
967	1/2 x 5 1/2" HHCS Plated	1038	Pipe Stand Tightening Bracket
968	5/8" Hex Nut Plated	1039	Water Trip Adjustment Bracket
969	3/4" Machinery Bushing	1040	Water Trip Bracket
970	1/2 x 1 1/2" Carriage Bolt Plated	1041	Water Trip Arm
971	1/2 x 2" Carriage Bolt Plated	1042	Complete Water Trip Assembly
972	7/16 x 1 1/2" HHCS	1043	Ratchet Dog
973	1/2" Washer	1045	Drive Sprocket w/ Ratchet Ring
974	7/16" Hex Nut Plated	1046	Inside Ratchet Assembly
975	1/2 x 1 3/16" Stud Bolt	1047	Jack Shaft Drive Sprocket
976	3/8 x 3/4" Cup Point Set Screw	1048	Jack Shaft Left Chain Guard
977	3/8 x 3/8" Allen Head Screw	1049	Jack Shaft Right Chain Guard
978	1/4 x 1/2" Stove Bolt	1050	Left Adj. Axle Mounting Bracket
979	7/16 x 1 1/4" HHCS Plain	1051	Right Adj. Axle Mounting Bracket
980	3/8 x 1" HHCS Plated	1052	Axle and Jack Shaft Mounting Bracket
981	3/8" Washer	1053	Chain Guard Mounting Bracket
982	1/4 x 1" Stove Bolt	1054	7/8" Pillow Block
983	1/4" Hex Nut Plated	1055	7/8" Jack Shaft
984	1/4" Lock Nut Plated	1056	Drive Wheel Hub With Sprocket
985	1 x 5/8" HHCS Plated	1057	1 1/4" ID Wheel Hub Bearing
986	3/8" Lock Nut Plated	1060	Drive Chain Guard (Straight Axle)
987	3/8 x 1 1/2" Carriage Bolt	1061	Drive Chain Guard (Hi-Rise Axle)
988	5/16" Flat Nut	1065	Soil Mix Hopper
989	3/8 x 1 1/4" HHCS Plated	1066	Metering Wheel Shaft
990	3/8 x 1" HHCS Grade 5, Plated	1067	Metering Wheel Timing Plate
991	1/4 x 1" Carriage Bolt	1068	Metering Wheel
992	#718-3/8" Rectangular U-Bolt	1069	Agitator Blade
993	#730-S-1/2" Rectangular U-Bolt	1070	3/4" Bearings for Base (Prior 1980)
994	5/16 x 1/2" HHCS Plated	1071	Horizontal Drive Shaft (Prior 1980)
995	5/16" Washer	1072	Upper Drive Sprocket (14 tooth)
996	1/4 x 1 1/2" Cotter Pin	1073	Hopper Base
997	1/2 x 1 1/4" HHCS Plated	1074	Mitre Gear for Agitator (Prior 1980)
999	Bearing & Guide Washer Complete	1075	Vertical Drive Shaft (Prior 1980)



1395 US 17 South  
Elizabeth City, NC 27909  
Phone: (252) 264-2400

147 Hwy 32 North  
Sunbury, NC 27979  
Phone: (252) 465-8614

5038 Old Raleigh Road  
Wilson, NC 27893  
Phone: (252) 237-0006

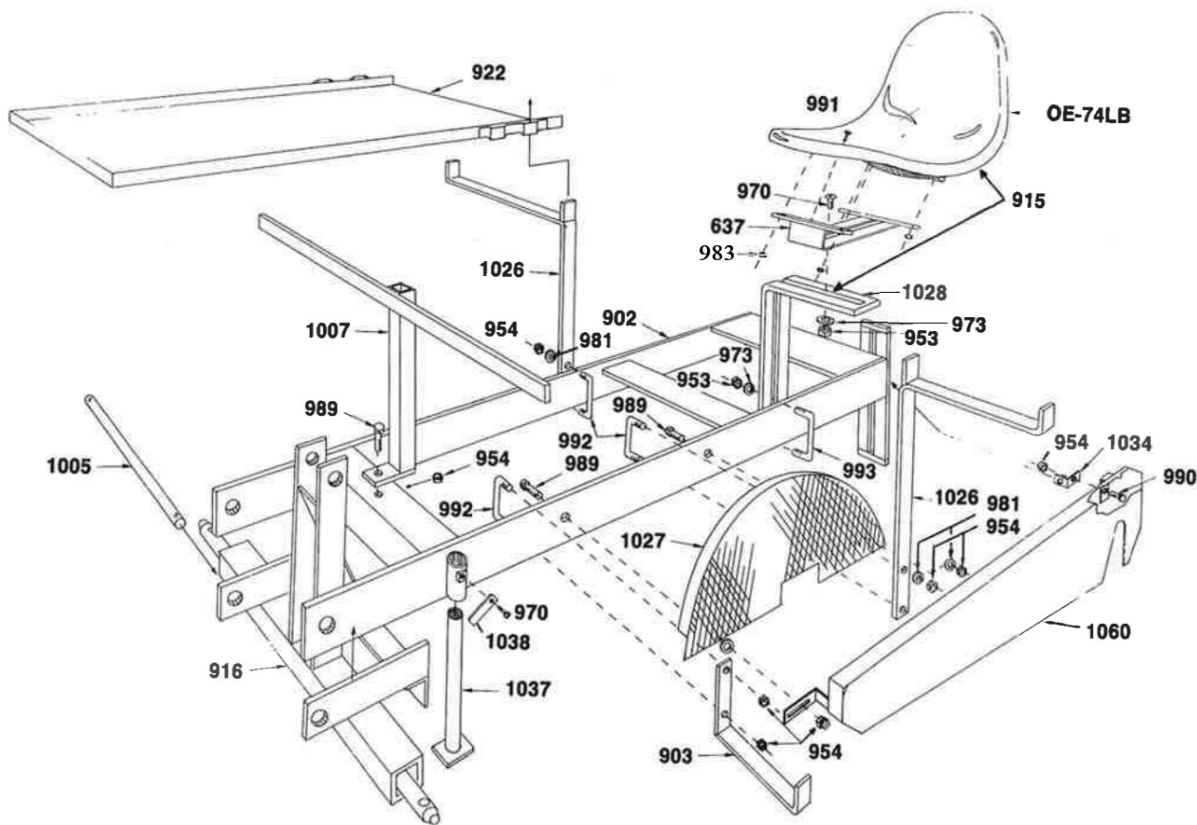


[www.bandsent.com](http://www.bandsent.com)

# MECHANICAL TRANSPLANTER

## MODEL 900 MULCH PLANTER PARTS LIST

Part#	Description	Part#	Description
1076	Chain Tightener for Drive Chain	393	Water Valve Hose Nipple
1077	Lower Drive Sprocket (17 tooth)	416	3/4" Oilite Bearing
1078	Complete Brake Assembly (Prior 1981)	602	Water Valve U-Bolt
1079	Plastic Meter Wh. Guard (Prior 1980)	605	Water Valve Trip Rod
1080	Front Support Brace for Plug Mix	606	Water Valve Housing w/Tee
1081	Plug Mix Stabilizing Support Brace	607	Inside Ratchet Spring
1082	Brake Band with Pad Only	609	Water Valve Cap
1083	Gear Box (After 1980)	610	Air Valve Float
1084	Disc Brake Wheel	611	Nylon Water Valve Seat
1085	Plug Mix Sealed Bearing	612	Ball Valve w/Brass Insert
1086	1 1/4" Oilite Bearing for 1075 Shaft	613	Water Valve Spout
		614	Brass Air Vent
		637	Fiberglass Seat Bracket Only
		OE 74LB	Fiberglass Seat Less 637 Bracket



**Plant Tray, Seat, Chain Guard, Foot Rest and Three Point Hitch Assembly and Parts.**



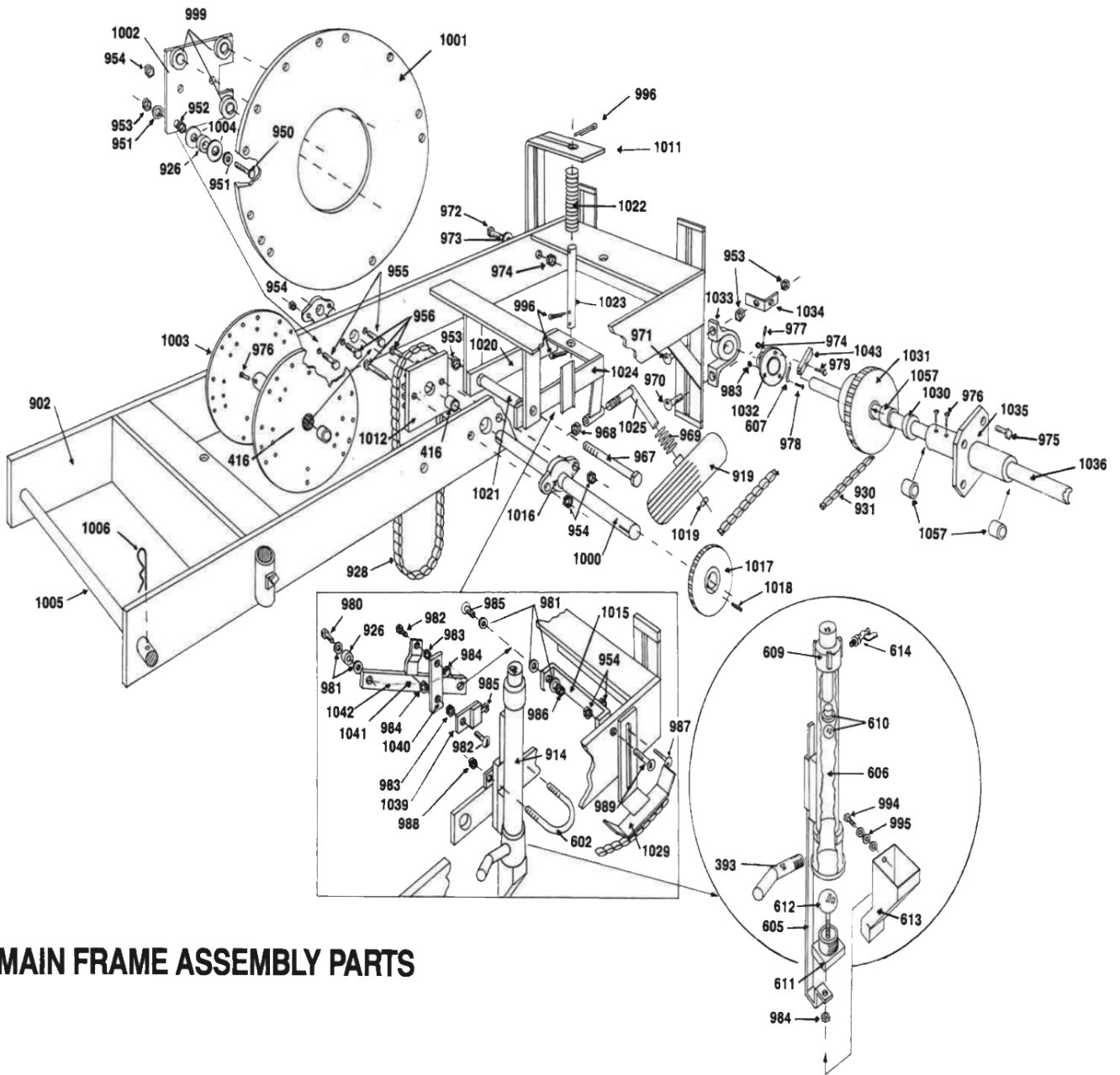
1395 US 17 South  
Elizabeth City, NC 27909  
Phone:(252)264-2400

147 Hwy 32 North  
Sunbury, NC 27979  
Phone:(252)465-8614

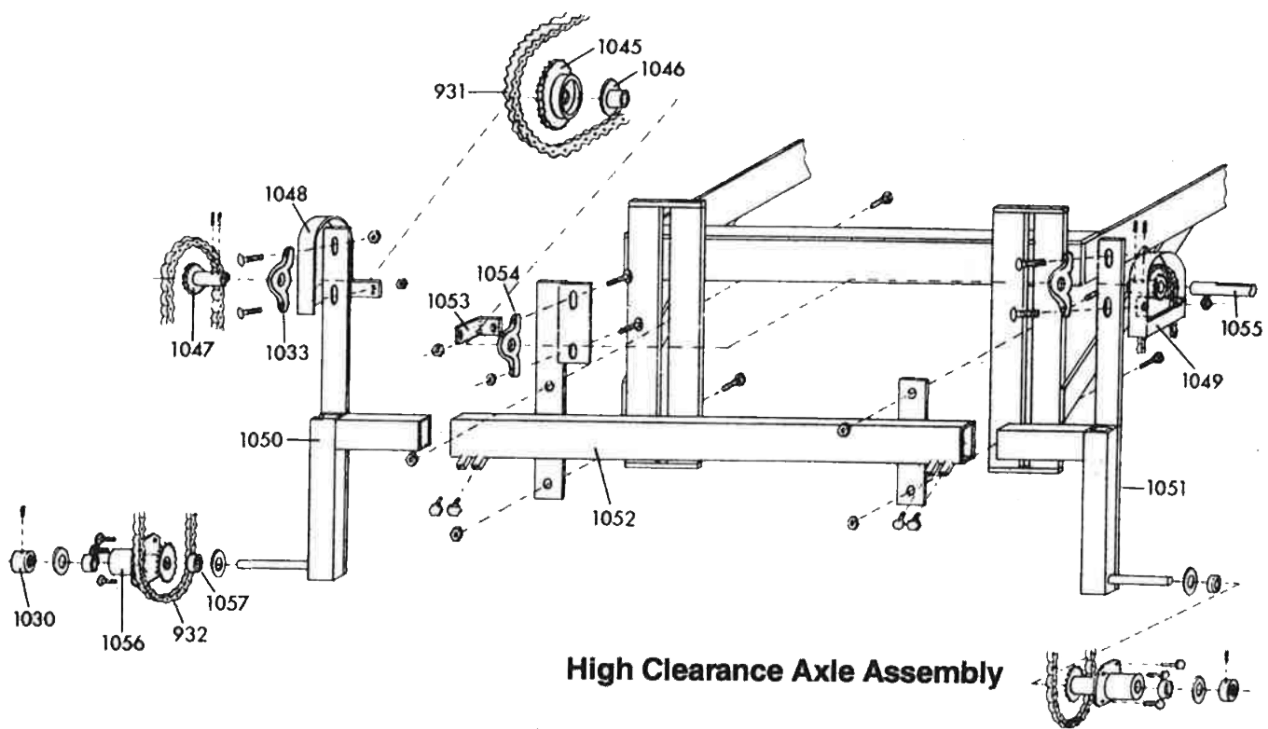
5038 Old Raleigh Road  
Wilson, NC 27893  
Phone:(252)237-0006



[www.bandsent.com](http://www.bandsent.com)



**MAIN FRAME ASSEMBLY PARTS**



High Clearance Axle Assembly

