

MECHANICAL TRANSPLANTER

MODEL 803-4HF PARTS LIST

PART# DESCRIPTION

43	1/2" Bushing for clamp
638	Jack for trailer
854	6-Bolt wheel hub with bearings
854B	Bearings and seals for 6-bolt hub
857	3 x 8" Hydraulic cylinder
861	11:00 x 15" Tire
863	300 Gallon barrel bottom bushing
891	Turnbuckle top arm
5073	12 x 2 x 6" Securing plate
803-1	Adjustable hitch
803-2	Tongue
803-5	Saddle base
803-6	Saddle front frame
803-7	Saddle rear frame
803-8	Saddle side brace
803-9	Step platform
803-12	3/8 x 5 x 6 Securing plate
803-13	Step lock
803-15	5/8 x 2-1/2 x 7" Securing plate
803-20	Upright 300 gallon tank
803-21	Lid for 300 gallon tank
803-22	Reducer
803-23	Elbow
803-50	Rear saddle bracket
803-51	Booster block
803-52	Step mount

PART# DESCRIPTION

803-53	Step
803-53PS	Pipe spacer
803-54	Main frame
803-55	Step support arm
803-56	Support brace
803-57	Saddle cross brace
803-58	Axle
803-59	Cylinder bracket
803-60	Rim
803-61	1/2 x 2-1/2 x 6" Securing plate
803-62	Rock shaft hitch assembly
803-63	3/8 x 1-1/2 x 4" Securing plate
803-65	1-5/8" Pipe spacer
803-70	Shelf support bracket
803-71	1" Conduit clamp for shelf
FH221	3/8 x 2-1/2" Hex head cap screw
FH335	1/2 x 1-1/2" Hex head cap screw
FH361	1/2 x 5-1/2" Hex head cap screw
FH369	1/2 x 7-1/2" Hex head cap screw
FH467	5/8 x 6-1/2" Hex head cap screw
FH553	3/4 x 6" Hex head cap screw
FH569	7/8 x 4" Hex head cap screw
FH571	7/8 x 4-1/2" Hex head cap screw
FH593	7/8 x 10" Hex head cap screw
FSW1034	#10x3/4" Wood screw
FUB51615	5/16" U-bolt for 1-1/2" bar



1395 US 17 South
Elizabeth City, NC 27909
Phone:(252)264-2400

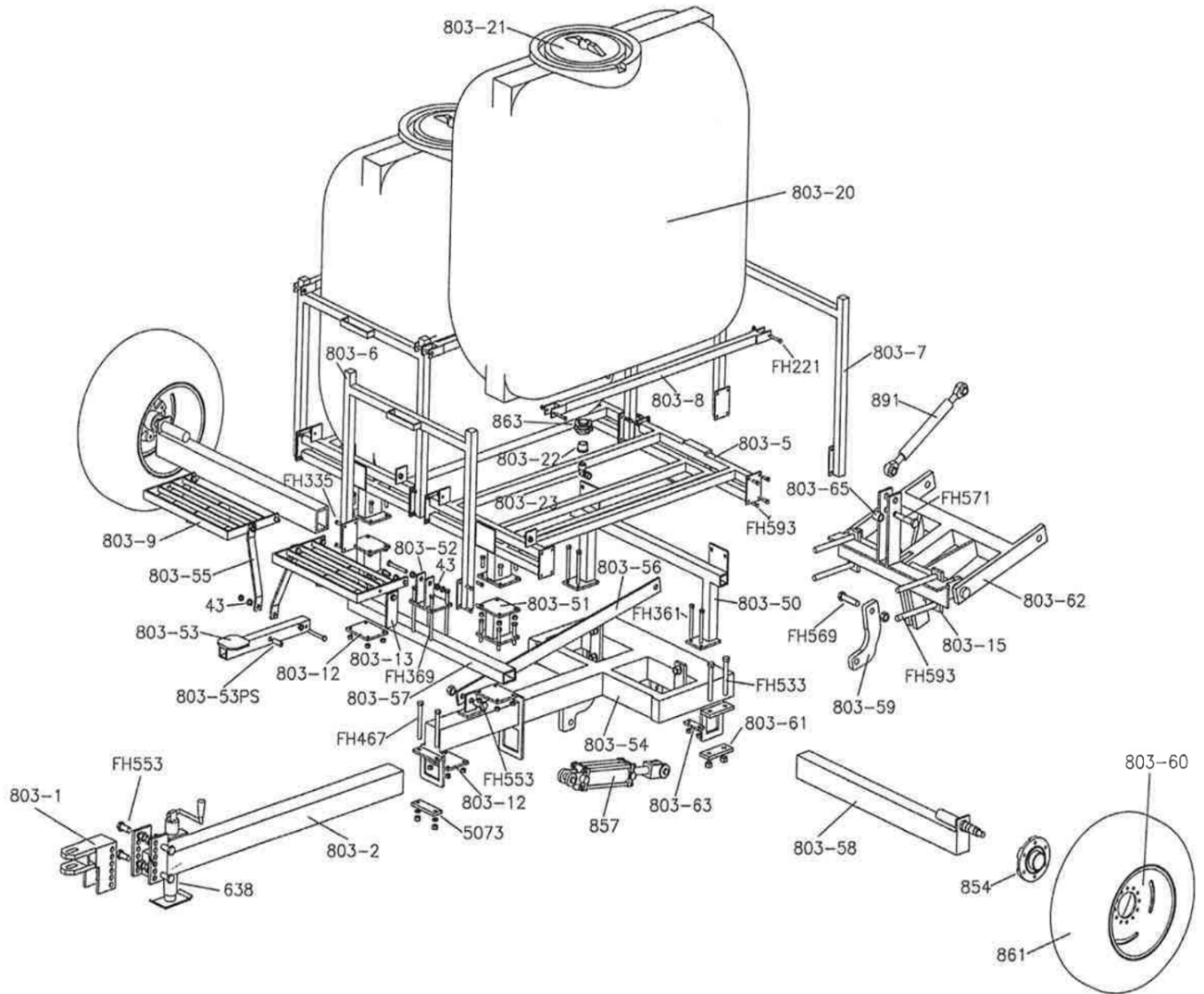
147 Hwy 32 North
Sunbury, NC 27979
Phone:(252)465-8614

5038 Old Raleigh Road
Wilson, NC 27893
Phone:(252)237-0006

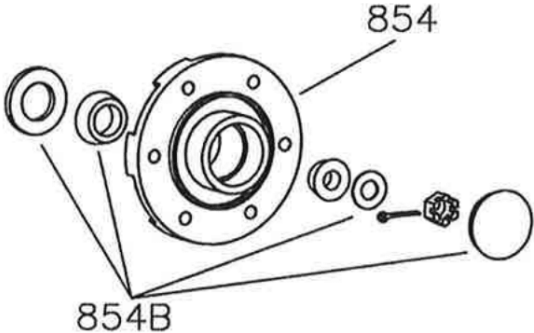


www.bandsent.com

MODEL 803-4HF



6-Bolt Hub Parts Breakdown



Complete hub assembly - Part #854
Bearings and seals - Part #854B

OE-55 Shelf Parts Breakdown

