

Mechanical Transplanter Company

Parts List for Model 6000

Part#	Description:	Part#	Description:	Part#	Description:
12	Direct drive tire & rim	4648	Foot rest	6649	6000 Planter Frame only
13	Direct drive wheel stud bolt	4652	Rod end only	6650	Guard for spur gear
30	Chain tightener pipe bearing	4654	5/16" Hex nut SAE thread	6660C	Chain tightener for drive chain
31	Main frame rear half	4657	Bottom swivel kicker	6661	#40 Drive Chain
32	Wheel chain tightener spring	4662	5/16 x 3/8" socket shoulder bolt	6666N	Chain tightener arm only
33	Wheel chain tightener arm	4663	1/2" washer (x5/16")	6667	Roller chain tightener cmp.(N S)
35	Lift chain	4665	Straight leg of kicker arm w.bearing	6676	Chain guard
38	Wheel hub w/sprocket	4666	Top leg of kicker arm w/bearing	6681NRD	Drop tube for rear drive
39	Main frame front half	4667	5/16 x 5/16" oilite bearing	6681N	Drop tube for direct drive
40	Left clamp less U-bolt	4672	1/2" Moon keyway	6683C	High carbon shoe
41	34 Link #32 steel chain	4673	3/4" 14 tooth sprocket	6689	Shoe pipe spacer
42	Right clamp less U-bolt	4678	Axle - right side	6695	Cup trip
43	1/2" Bushing for clamp	4679	Axle - left side (N S)	6702N	Kicker drive arm
44	Chain lift plate	4693	Roller chain tightener spring	6707	Trap door right or left
45	Left 4x7 direct drive clamp	4694	Nylon chain tightener	6712	Metering wheel post
46	Right 4x7 direct drive clamp	4700	Spur gear (24 Tooth)	6714	Complete metering top
47	Plate for 4x7 direct drive clamp	4701	Spur gear (96 Tooth) 5/8" hole	6714L	Meter top L/doors and post
308	2" Washer	4701DD	DD spur gear (6 Tooth) 3/4" hole	6724	5/8 x 4-1/2" w/keyway
328	3/4" Flange block	4703	#32 Drive chain (22 Links)	6725	Bottom leg of kicker
373	Chain tightener spring	4706	Flat key stock	6726	Front shoe brace
376S	Tension spring	4708	Gear box	6728	Chain tightener spring
381	7 Tooth spacing sprocket	4711	Grease fitting	6729	5/16" threaded rod (5-1/2"long)
383	9 Tooth spacing sprocket	4712	5/8" Oilite bearing	6730	#6000 Direct drive chain guard
386	Direct drive drawbar shaft	4713	DD jackshaft & timing plate	6731	Water trip plate w/bearing and bolt
386P	Clip pin for shaft	4713RD	Rear drive jackshaft & timing plate	6732	Drive shaft for 6000 direct drive
416	3/4" Oilite bearing	4717	Die clamp (each)	6743	4000 top washer
434	7/8" Oilite bearing	4718	5/8" 12 tooth sprocket	6744	9/16" Special washer drilled out
462	11 Tooth wheel sprocket	4721	Metal bearing w/oilite bearing	6745	U-clip for galvanized insert
521	Roll pin	4724	Water valve bracket	6746	Galvanized kicker insert
522	Clip pin	4725	5/16 x 1/2" Oilite bearing	6747	"S" Clip for windshield and skirt
529	Scraper blade	4726	5/16 x 5/8" Socket shoulder bolt	6748	Rubber skirt
530	Scraper mounting bracket	4727	Direct drive jackshaft	FC167	5/16 x 2" Carriage bolt
533	Wheel scraper complete	4728	Jackshaft pipe spacer	FC205	3/8 x 3/4" Carriage bolt
602 89	U-bolt with nuts	4729	Direct drive shear pin	FC209	3/8 x 1" Carriage bolt
604 89	Water adj. bracket	4731	Bolt w/handle for chain guard	FC299	7/16 x 5" Carriage bolt
605	Water trip rod	4735	Chain tightener complete	FC335	1/2 x 1-1/2" Carriage bolt
606 89	1-1/2" Water pump housing	4736	Chain tightener spring mtg. brack.	FH101	1/4 x 1/2" Hex head cap screw
607L	Long water trip spring	4737	Main drive chain for direct drive	FH103	1/4 x 5/8" Hex head cap screw
609 89	Cap w/nipple & rubber seat	4738	Chain tightener pipe bearing	FH113	1/4 x 1-1/2" Hex head cap screw
610 89	Air valve flow ball (after 1988)	4740	Counter balance clip	FH151	5/16 x 1/2" Hex head cap screw
611	Nylon water valve seat	4741	Metering top plug	FH155	5/16 x 3/4" Hex head cap screw
612	Ball valve w/pin(before 2000)	4748	Counter balance spring holder	FH163	5/16 x 1-1/2" Hex head cap screw
612L	Ball valve w/pin (after 2000)	4801	Gear box main housing	FH181	5/16 X 3-3/4" Hex head cap screw
613	Water valve spout	4802	Gear box pinion housing	FH205	3/8 x 3/4" Hex head cap screw
637	Fiberglass seat bracket	4803	Gear box pinion shaft	FH211	3/8 x 1-1/4" Hex head cap screw
639A	Adj. packing wheel and hub	4804	Gear box gear shaft	FH215	3/8 x 1-3/4" Hex head cap screw
639AHDD	Direct drive adj. hub only	4805	Gear box pinion shaft gear	FH235	3/8 x 4-1/2" Hex head cap screw
639AL	Adj. packing wheel less hub	4806	Gear box gear shaft gear	FMB400	5/8" Machinery bushing
639WAL	Adj. packing wheel and hub	4807	Gear box bearing	FMB500	7/8" Machinery bushing
642	Plastic cover for #605	4808	Gear box seal	FNH100	1/4" Hex nut
715	3/8" U-bolt with nut	4809	Gear box snap ring	FNH150	5/16" Hex nut
726L	L-Shaped seat brace	4810	Gear box shim - pinion housing	FNH200	3/8" Hex nut
727	U-bolt for seat bracket	4811	Gear box pipe plug	FNH250	7/16" Hex nut
837L	5/16" J-bolt	4812	Gear box key - pinion	FNH300	1/2" Hex nut
1000VS	Water valve shut off	4813	Gear box spacer	FNH400	5/8" Hex nut
1000PS	3/4" close nipple	6000K	6000 Kicker deflector kit	FSC300	1/2" Set collar
1000P	Single thread nipple	6000SC	Shoe cover	FSC450	3/4" Set collar
4610	5/8" 10 Tooth Sprocket (N S)	6000WS	6000 Wind protector	FSC500	7/8" Set collar
4618	5/8" 18 Tooth Sprocket (N S)	6000WWS	Wind protector plastic	FW100	1/4" USS Flat washer
4622	3/4" 22 Tooth sprocket (N S)	6616	Water valve	FW150	5/16" USS Flat washer
4624	5/8" 24 Tooth sprocket (N S)	6639	3/4" Shaft for Drive Shaft	FW300	1/2" USS Flat washer
4626	5/8" 26 Tooth sprocket (N S)	6645	Center Adjustment Wheel Hub	OE 74 LB	Fiberglass seat less bracket



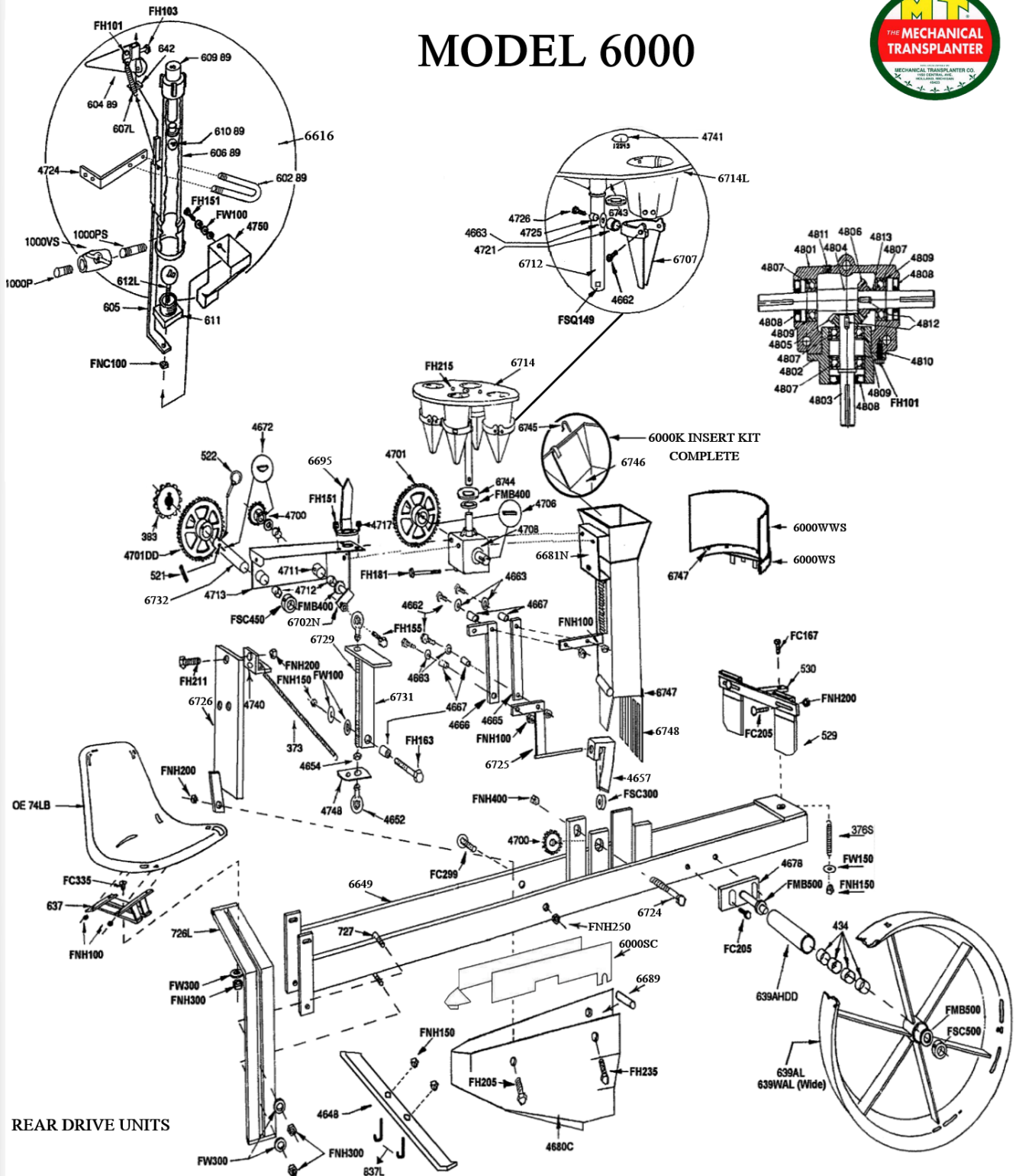
1395 US Hwy 17 South
Elizabeth City, NC 27909
Phone: (252)264-2400

147 Hwy 32 North
Sunbury, NC 27979
Phone: (252)465-8614

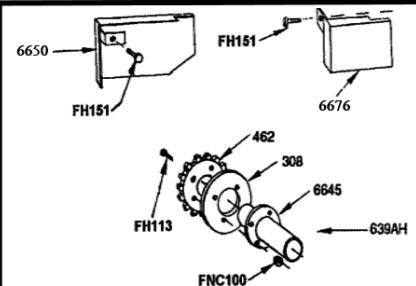
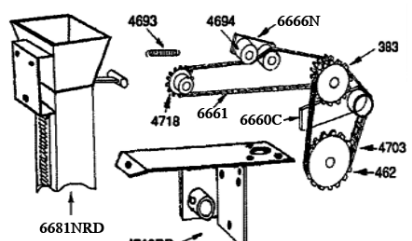
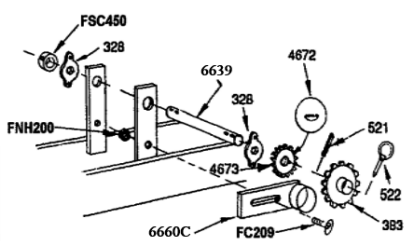
5038 Old Raleigh Road
Wilson, NC 27893
Phone: (252)237-0006



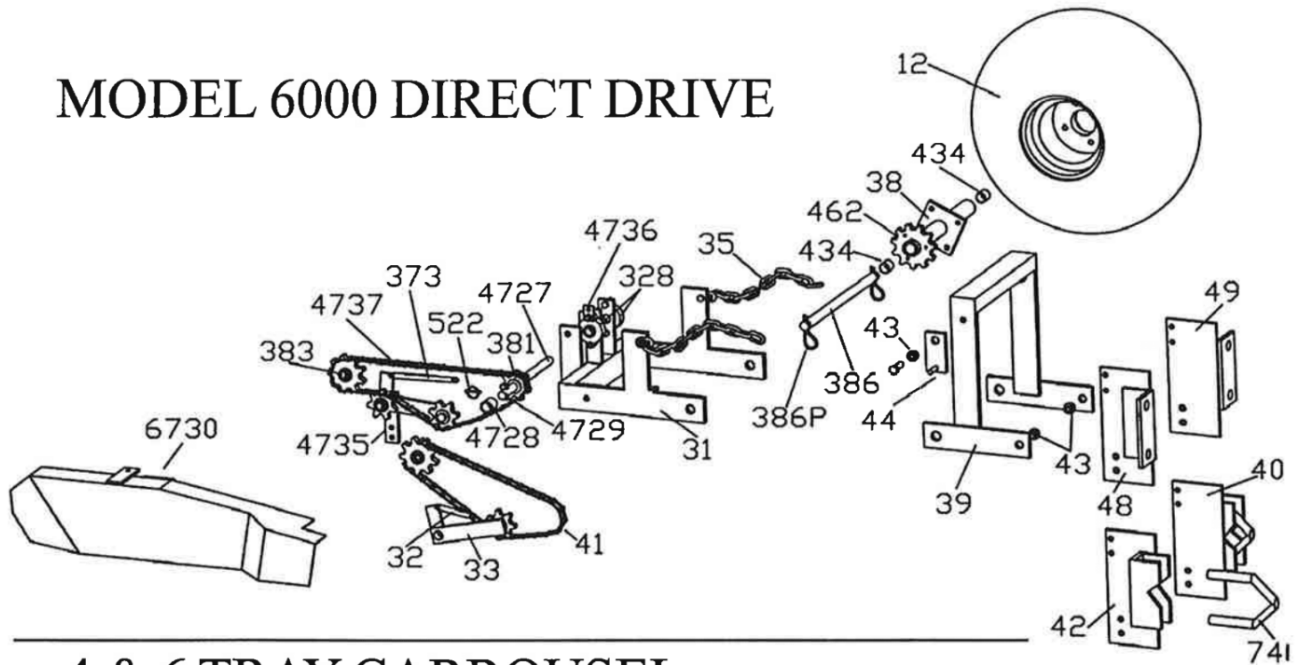
MODEL 6000



REAR DRIVE UNITS

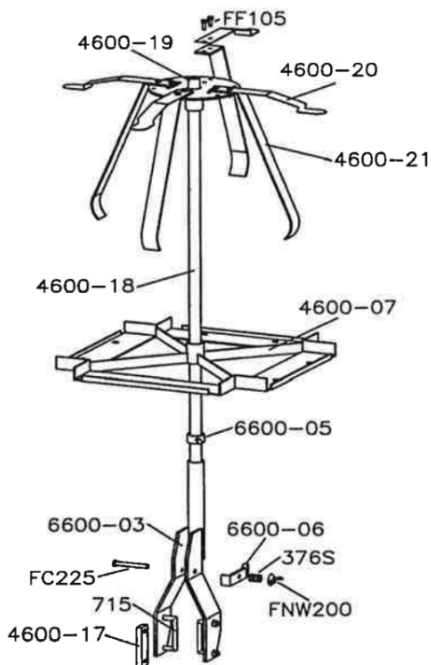


MODEL 6000 DIRECT DRIVE

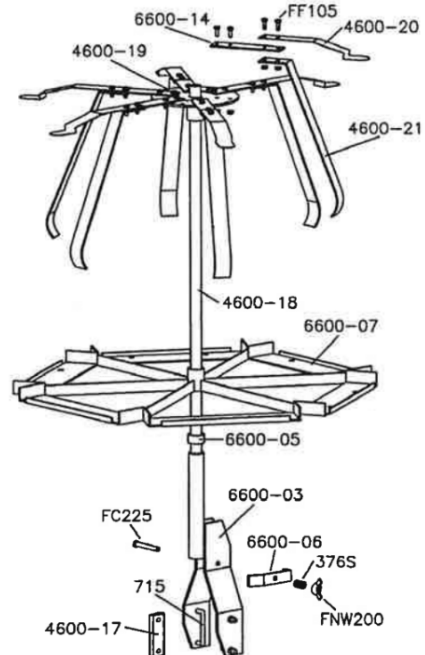


4 & 6 TRAY CARROUSEL

6600 CARROUSEL



6606 CARROUSEL



- FF105 1/4x3/4" Flange Screw
- FC225 3/8x3" Carriage Bolt
- FNW200 3/8" Wing Nut
- 376S Tension Spring
- 4600-07 4 Tray Bottom Tray Holder
- 4600-17 Spacer Plate (Model 4000 Only)
- 4600-18 Carrousel Pipe
- 4600-19 Top Disc

- 4600-20 Top Spring Plate
- 4600-21 Back Spring Plate
- 6600-03 Carrousel Base
- 6600-05 Set Collar
- 6600-06 Brake Arm
- 6600-07 6 Tray Bottom Tray Holder
- 6600-14 6 Tray spring extension
- 715 3/8" U-Bolt