



MODEL 5500



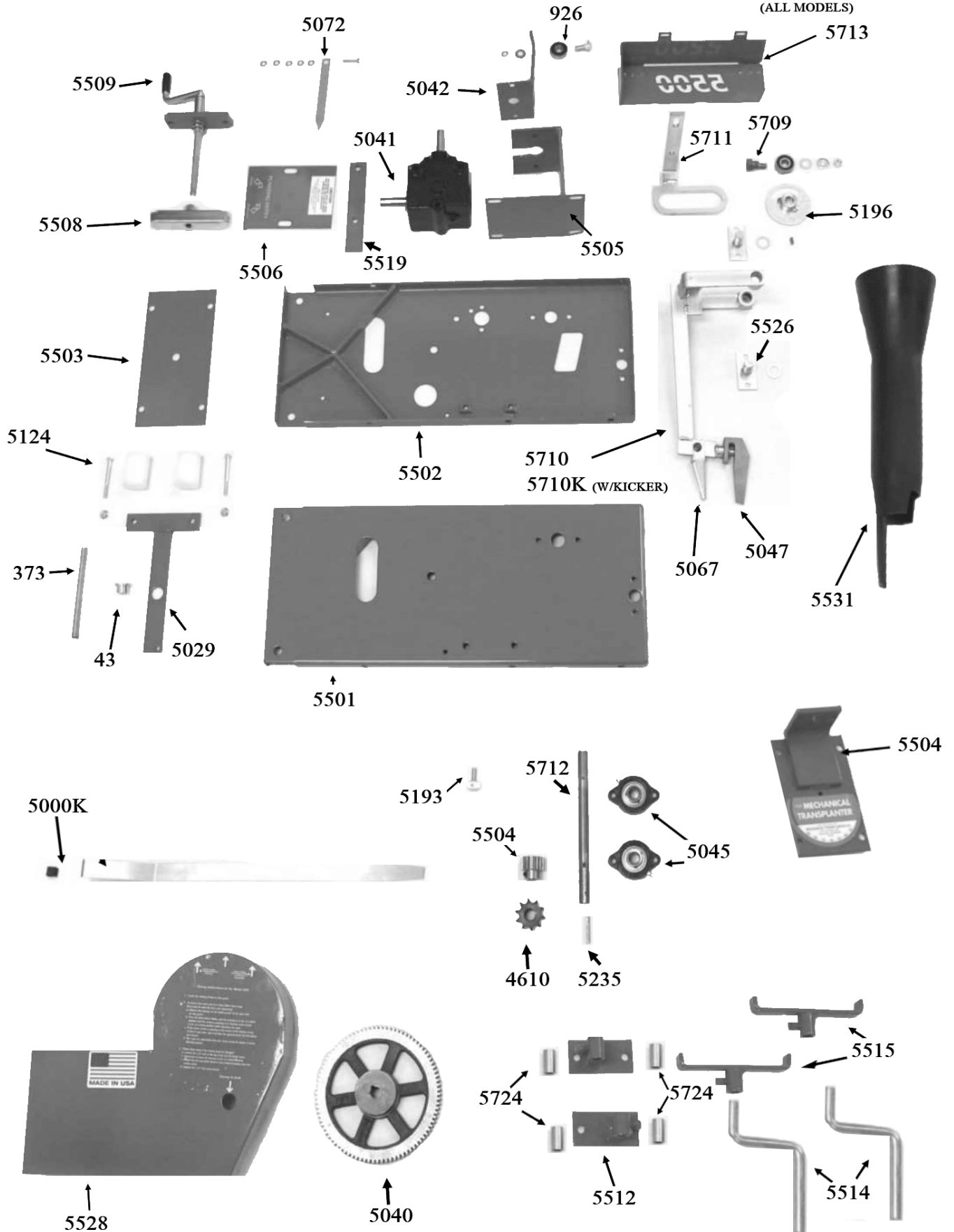
<u>Part #</u>	<u>Description</u>	<u>Part #</u>	<u>Description</u>
12	Direct drive tire & rim	1000D	13.5" disc with 5/8" bearing for double disc and fertilizer
15	Chain guard clip pin	1000DDB	Double disc bearing only (5/8")
31	Main frame of rear half	1000DDH58	Double disc hub with bearing 5/8"
32	Wheel chain tightener spring	1000FW58	13.5" coultter blade hub cap 5/8'
33	Wheel chain tightener arm	1000VS	3/4" water valve shut off
35	1/4 X 15" chain for direct drive	4610	10 tooth 5/8" bore sprocket
38	Wheel hub w/sprocket	5000K	Deflector kit
38C	Hub with 18 tooth sprocket	5001	Water valve cap
39	Main frame of front half	5009L	Water pump rod (after 2000)
40	Left DD diamond clamp less U-Bolt	5019	Mounting bracket
41	Chain 32S - 34 links for direct drive	5026	5000 shoe
42	Right DD diamond clamp less U-Bolt	5026DD	5000W double disc shoe
43	Shoulder bushing	5026P	Poly sided 5000 shoe
47	4 X 7/7 X 7 securing plate	5026PDD	5000W double disc poly shoe
48	Left 4x4/4x7 direct drive clamp	5029	Unit chain tightener bracket
49	Right 4x4/4x7 direct drive clamp	5030	14" wide ski bottom
328	3/4" flange block	5030N	10" wide ski plastic
373	Chain tightener spring	5031	1/4 X 3/4 flat head stainless steel
376S	Tension spring (10 & 12 pocket)	5033	Metal top of skis
381	7 tooth spacing sprocket	5033CMP	Ski Assembly
381I	7 tooth idler sprocket	5034RP	1/4x1-3/8" roll pin
382	8 tooth spacing sprocket	5035	Hex locking plate
383	9 tooth spacing sprocket	5036	Center post for cups
384	10 tooth spacing sprocket	5037N	Single cup mounting
385	11 tooth spacing sprocket	5039	Cup tube
386	Shaft/Axle/Hitch bar	5040	90 tooth large spur gear
386P	Shaft clip pin	5041	Gear box with two shafts
462	11 tooth wheel sprocket	5042	Cup trip bracket
521	Roll pin	5044	15 tooth spur gear
522	Clip pin	5045	5/8" flange block bearing
529	Scraper blade	5047	Aluminum kicker
530	Wheel scraper mounting bracket	5052	Shoe mounting bracket
533	Wheel scraper complete (after 1983)	5054	Lift chain on scissors hitch
609LN	3/4" conduit lock nut for cap	5063	Front chain guard
609R	Rubber nipple only for 609 or 609 89	5063SP	Spacer for guard
609RS	O-ring seal for cap	5065	Swing arms for seat
610S	Large float ball (1-1/2")	5067	Shoe cleaner
611	Nylon water valve seat	5071	Seat bracket
612L	Ball valve with brass pin (after 2000)	5072	Leveling arm
637	Fiberglass seat bracket	5073	1/2 x 2 x 6-1/2" securing plate (for 5/8" bolts)
740	7/8" V-bend U-bolt with nuts	5074HX	7/8" stainless hex shaft (Per foot)
926	Sealed bearing	5095	Cup door spring

<u>Part #</u>	<u>Description</u>
5096	Door hinge pin
5097	Door for cup
5098HX	7/8" Hex coupler
5098R	Rubber spacer only for love joy coupler
5099	Pipe timing lock
5113	7/8" hex flange block
5124	Chain tightener roller (1-1/2" long)
5140	5500 top
5142	Single cup assembly
5143	Round 6 cup feeder surface
5149	Pin for mounting front chain guard
5157	Shoe adjustment bolt assembly
5189	1 X 3/4" nylon hose barb
5190	Coupler
5191	90 degree st. L. PVC
5193	Thumb screw
5196	Small outside dial
5198R	Nylon roller trip
5199	Trip channel on pump rod
5203	Left long rear packer pad
5204	Right long rear packer pad
5234	1/2-13x2 threaded stud
5235	3/16 sq x 1-1/2" long key stock
5501	Side plate, guard side
5502	Side plate, water side
5503	Front plate
5504	Back plate
5505	Back plate
5506	Inspection plate
5507	Wheel yolk
5508	Long nut for wheel adjustment
5509	Crank assembly
5512	Footrest bracket
5514	Adjustable footrest post
5515	Footrest
5516	Lower scissors hitch arm
5517	Upper scissors hitch arm
5519	Guard support bracket
5524	L-bracket for wheel scrapers
5526	Kicker arm mounting plate
5528	Spur gear guard
5529	Water valve housing

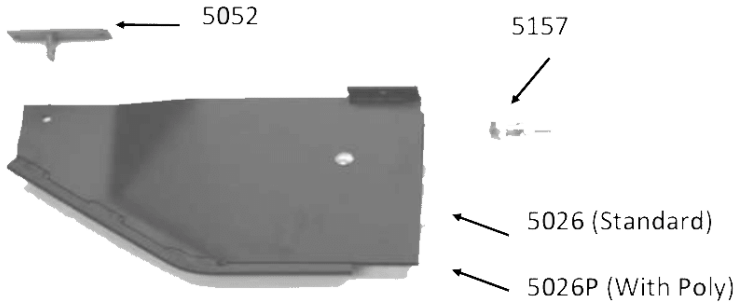
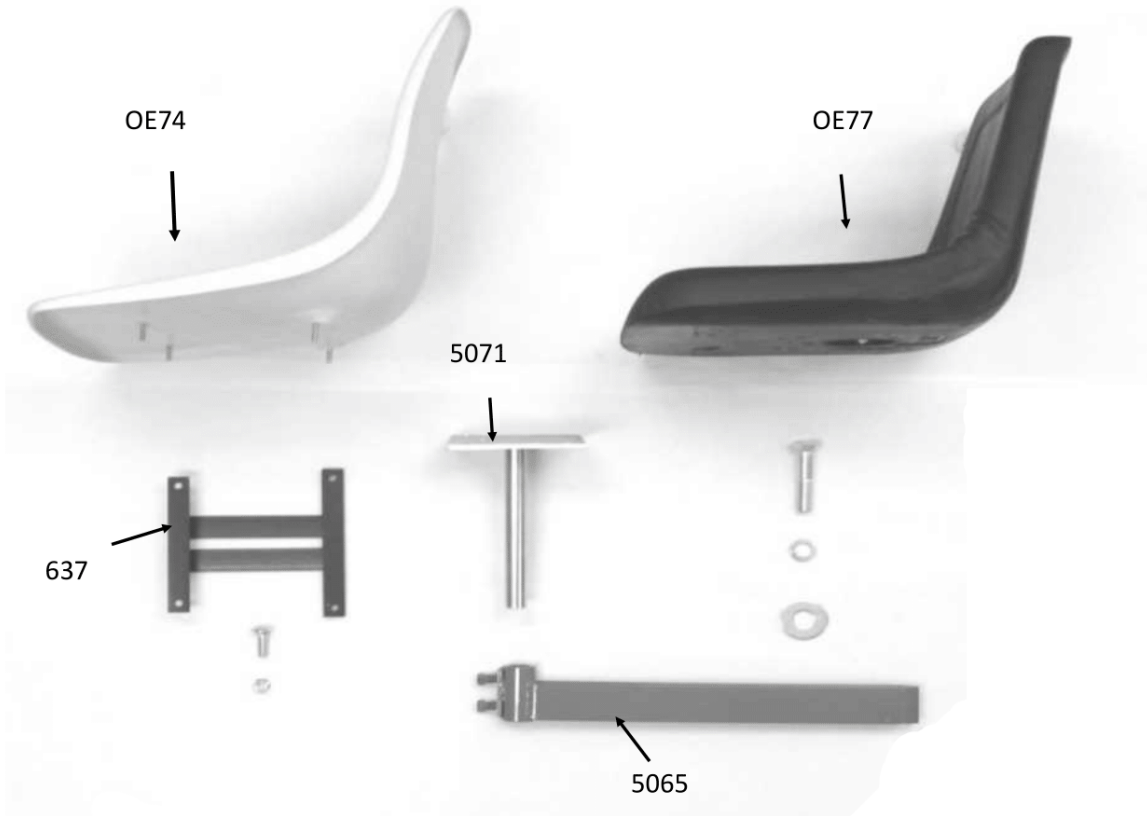
<u>Part #</u>	<u>Description</u>
5531	Drop tube
5532	Water valve for 5000W and 5500 series
5550	Jackshaft
5551	18 tooth spacing gear
5552	20 tooth spacing gear
5553	22 tooth spacing gear
5554	24 tooth spacing gear
5555	26 tooth spacing gear
5556	27 tooth spacing gear
5557	32 tooth spacing gear
5558	38 tooth spacing gear
5560	18 tooth wheel sprocket
5563	Unit drive chain - #40 x 110P
5565	Direct drive mounting plate
5566	Direct drive chain guard
5567	Wide/narrow tightener bracket
5709	Offset bolt for cam
5710	Model 5500 kicker arm
5710K	5500 Kicker arm w/ aluminum kicker
5711	Model 5500 eccentric cam
5712	Model 5500 series cam shaft
5713	5500 cam guard
5720	Depth Adjustment Arm - 5500
5721	Model 5500 ski adjustment sleeve
5722	Model 5500 ski adjustment post
5724	5500 footrest spacer
5732L	Left 5500W packing wheel axle
5732R	Right 5500W packing wheel axle
5733	19" flange packing wheel for bearing hub
5740	Model 5500 series water cam shaft
5741	5500 series water cam shaft bearing sleeve
5760	5500 series water trip disc
11101	Hex packing wheel bearing
11102	Hex packing wheel hub with bearings
11102LB	Hex packing wheel hub less bearings
11138	Lynch pin for 1100/5500 spacing sprockets
FHN435	5/8 x 2" nylon hex head cap screw
FNJ300	1/2" hex jam nut
FSQ149	5/16 X 3/8 sq. head cup pt. set screw
FW300	1/2" washer - Gr. 8 Yellow
OE74	Fiberglass seat with bracket
OE77	Cushion seat

5500 MAIN BODY

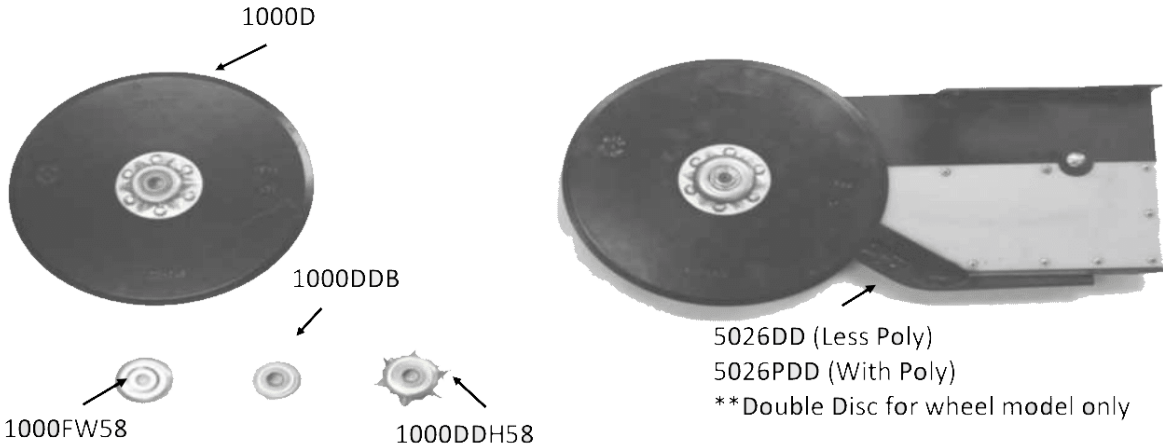
(ALL MODELS)



5500 SEATS

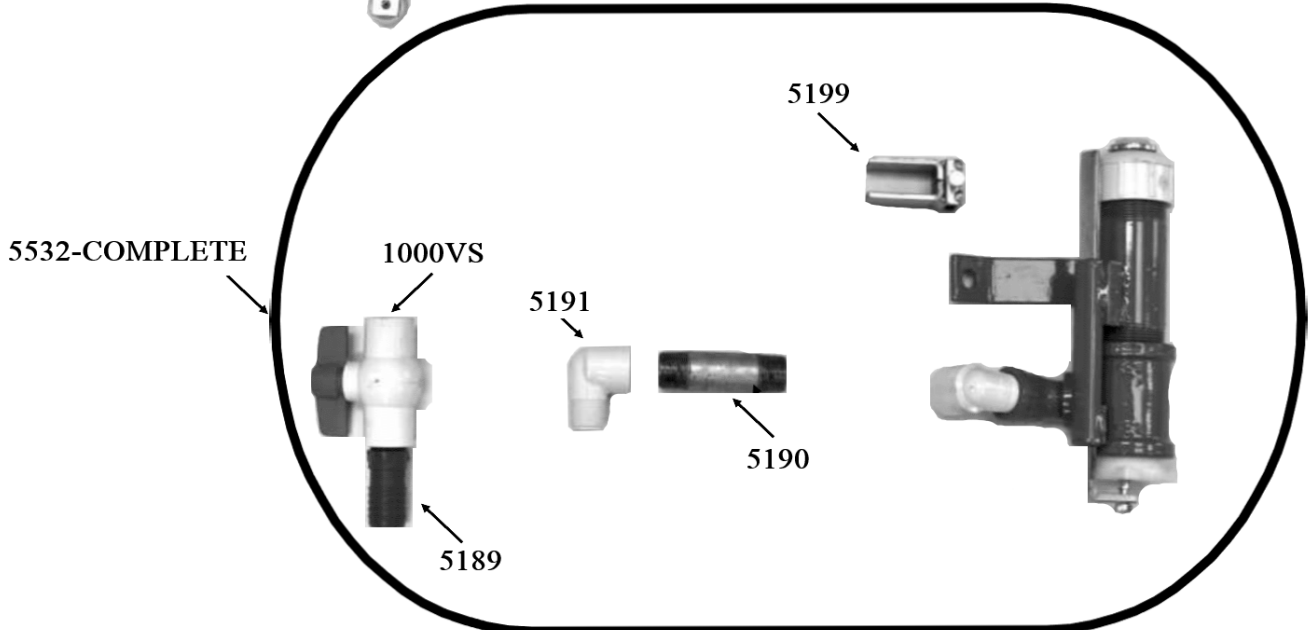
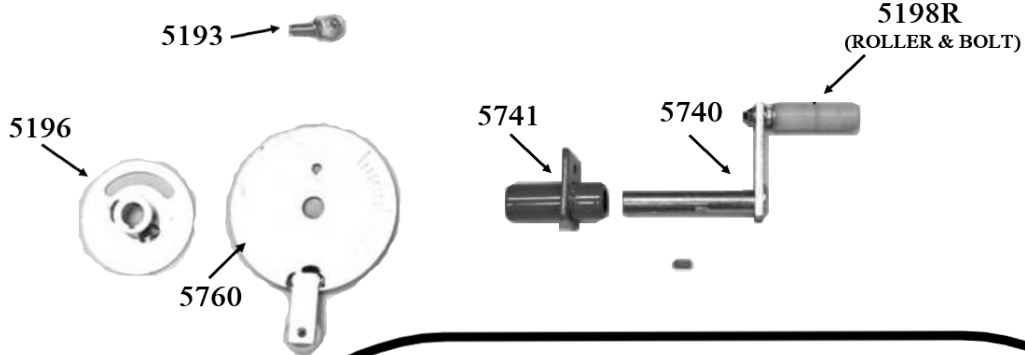


5500 SHOES

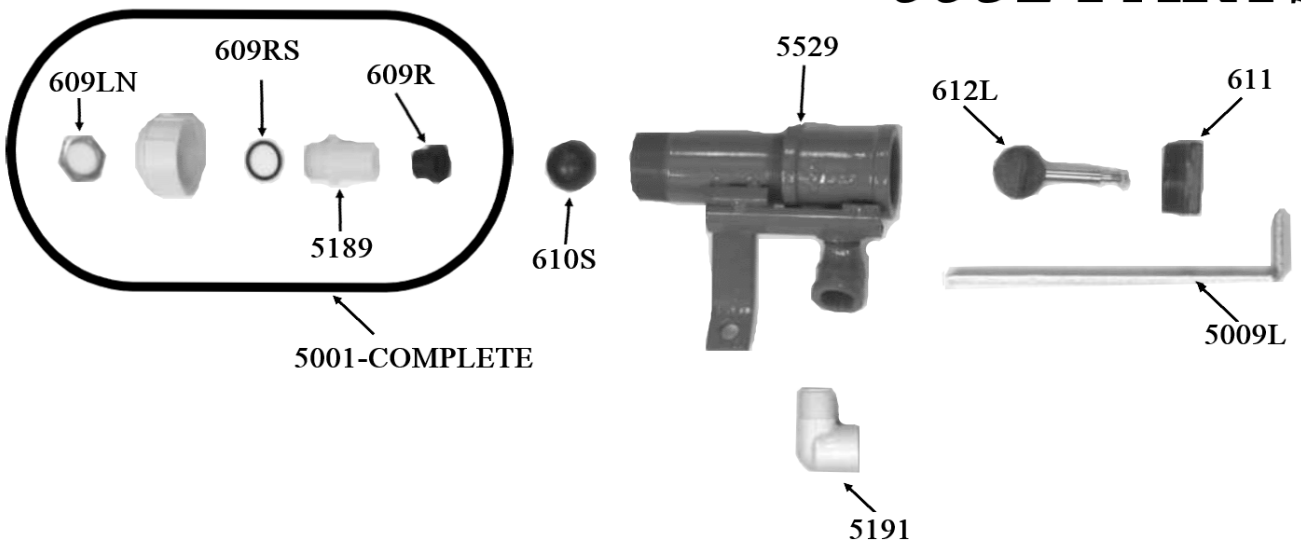


5500 WATER

(ALL MODELS)

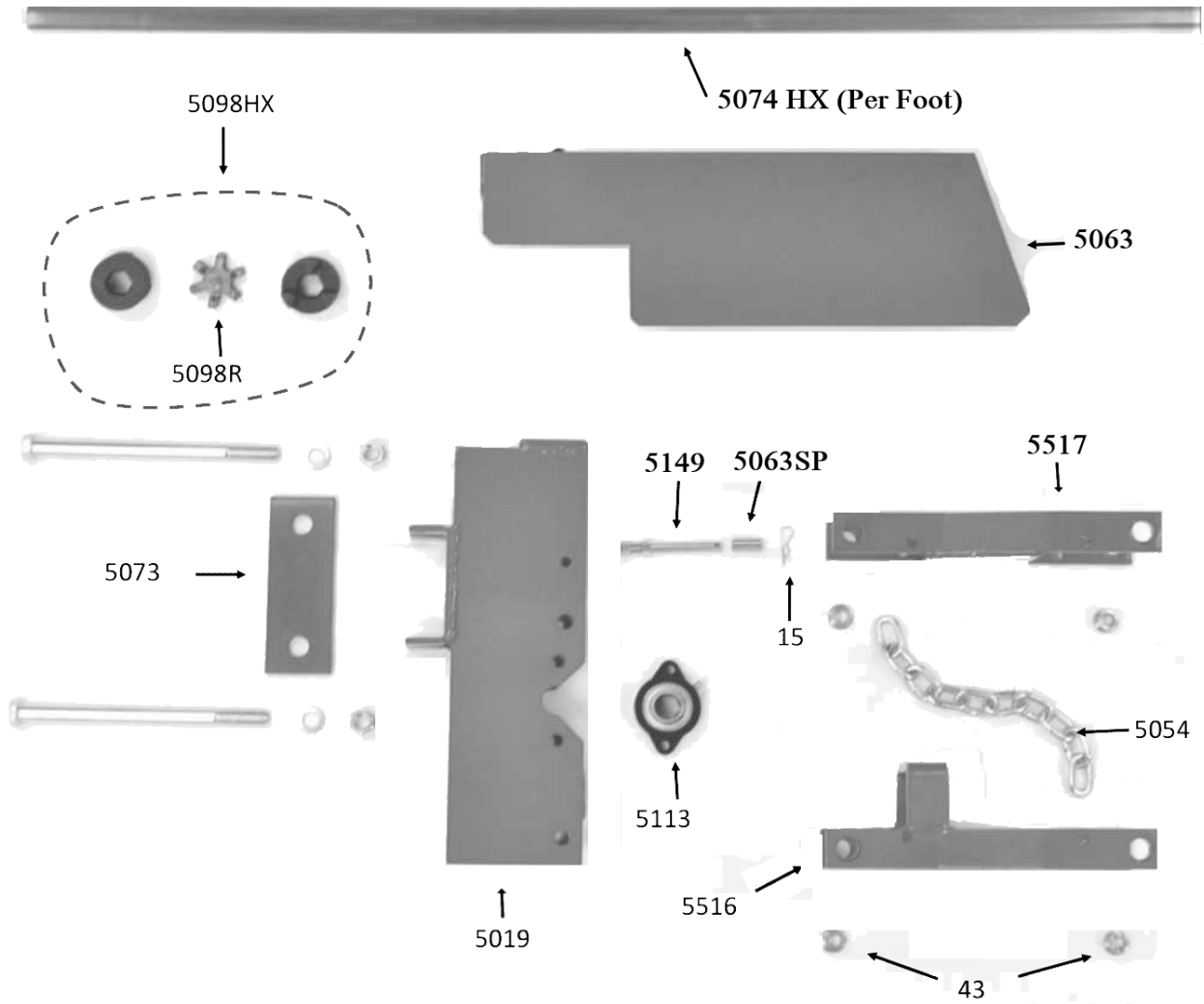


5532 PARTS

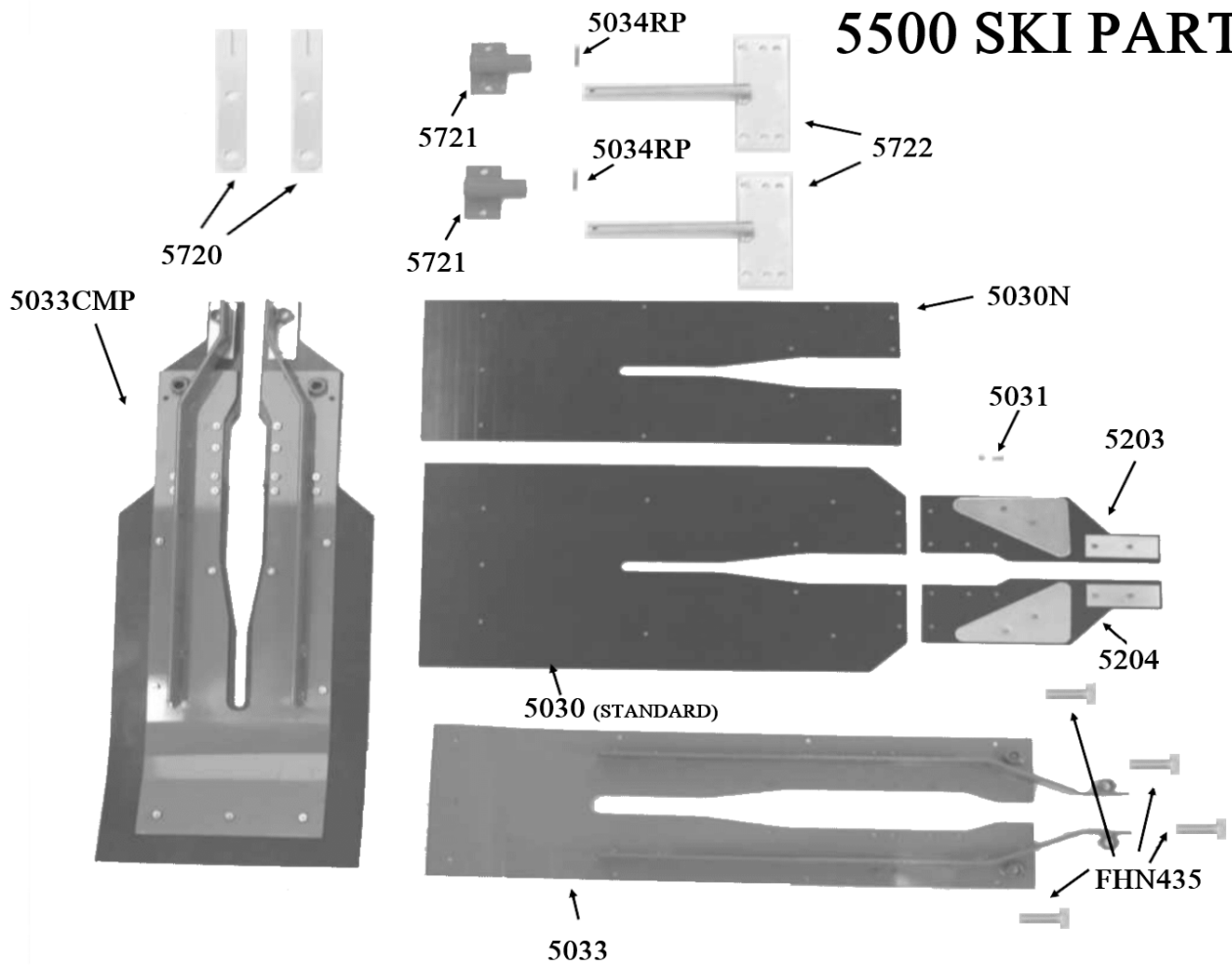


5500 Hitch

(Models 5500, 5500W)

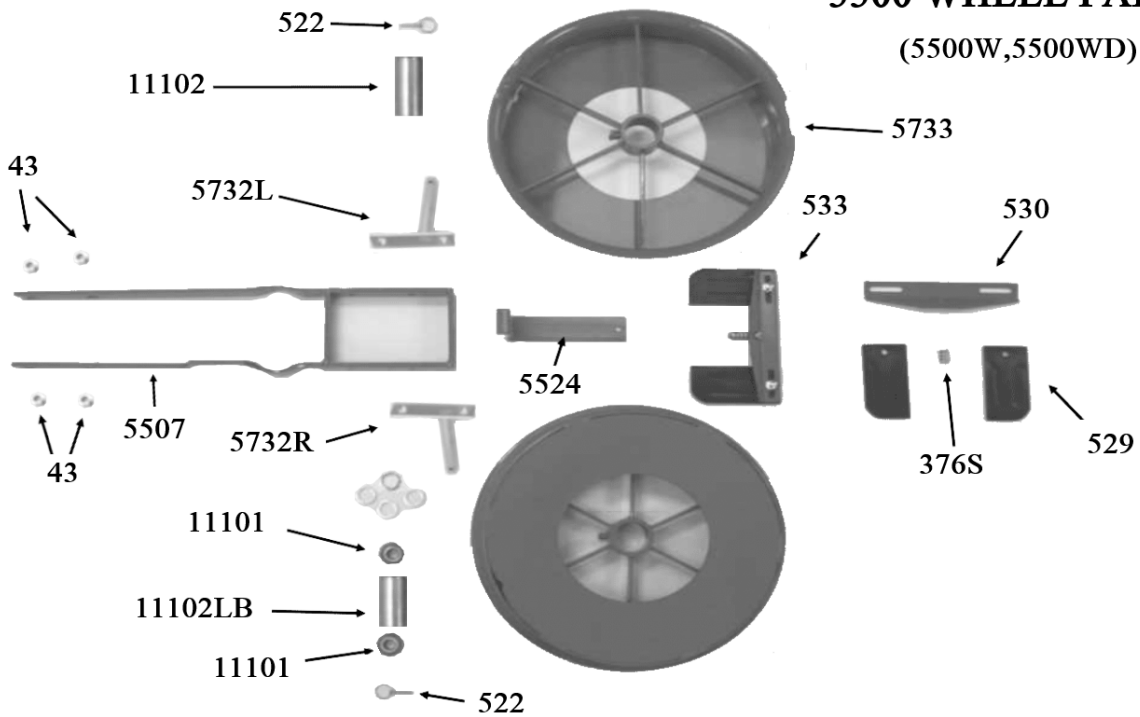


5500 SKI PARTS

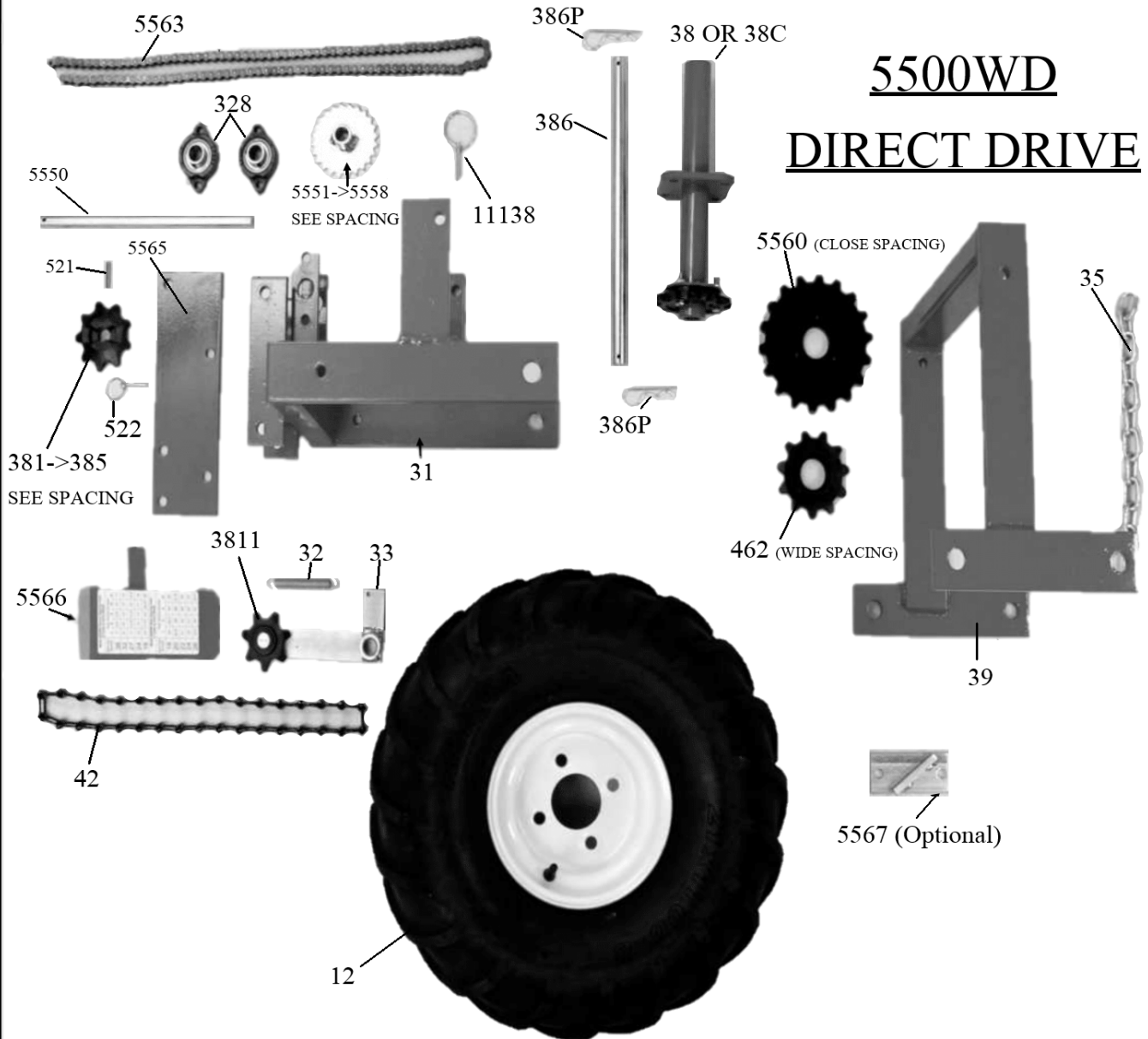


5500 WHEEL PARTS

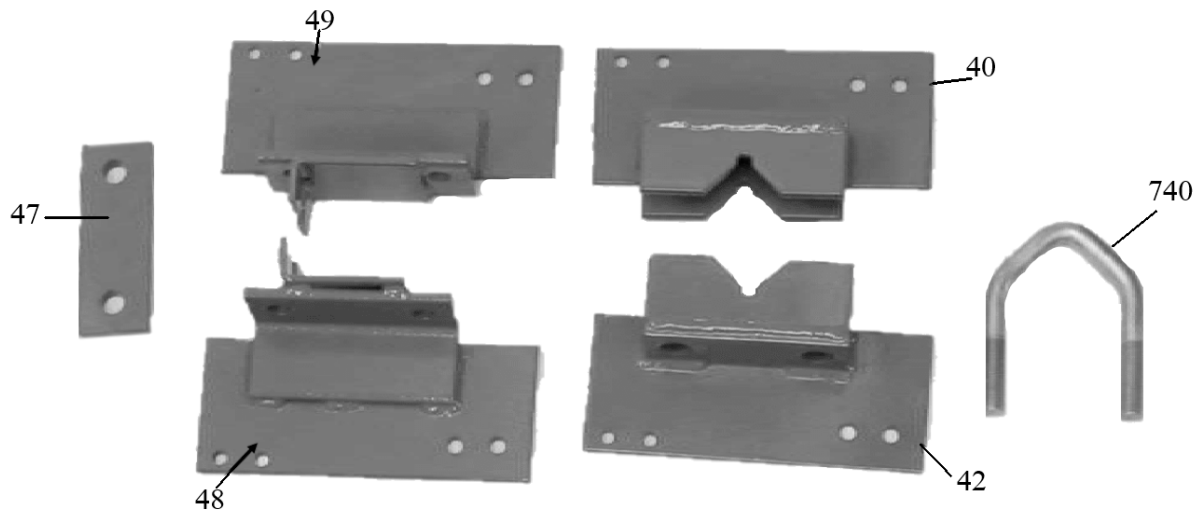
(5500W,5500WD)



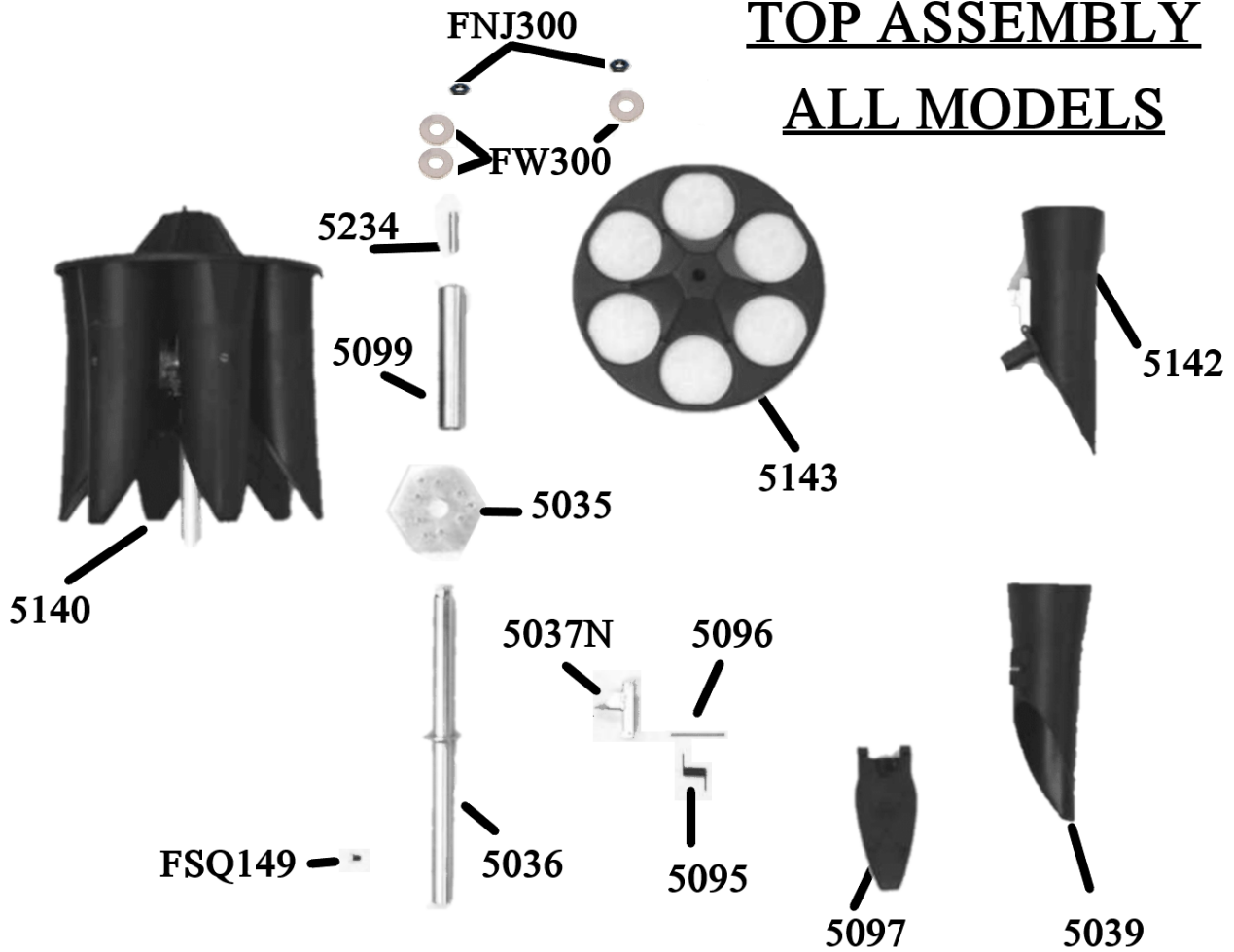
5500WD DIRECT DRIVE



5500WD DIRECT DRIVE CLAMPS

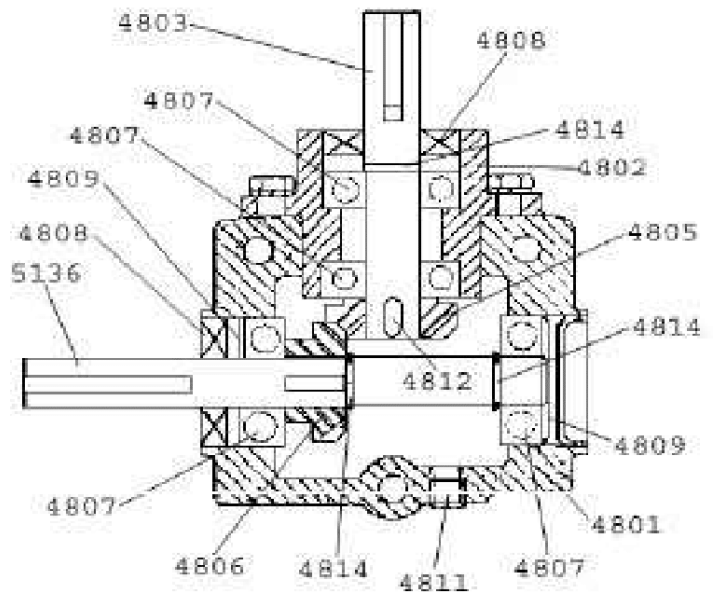


TOP ASSEMBLY ALL MODELS



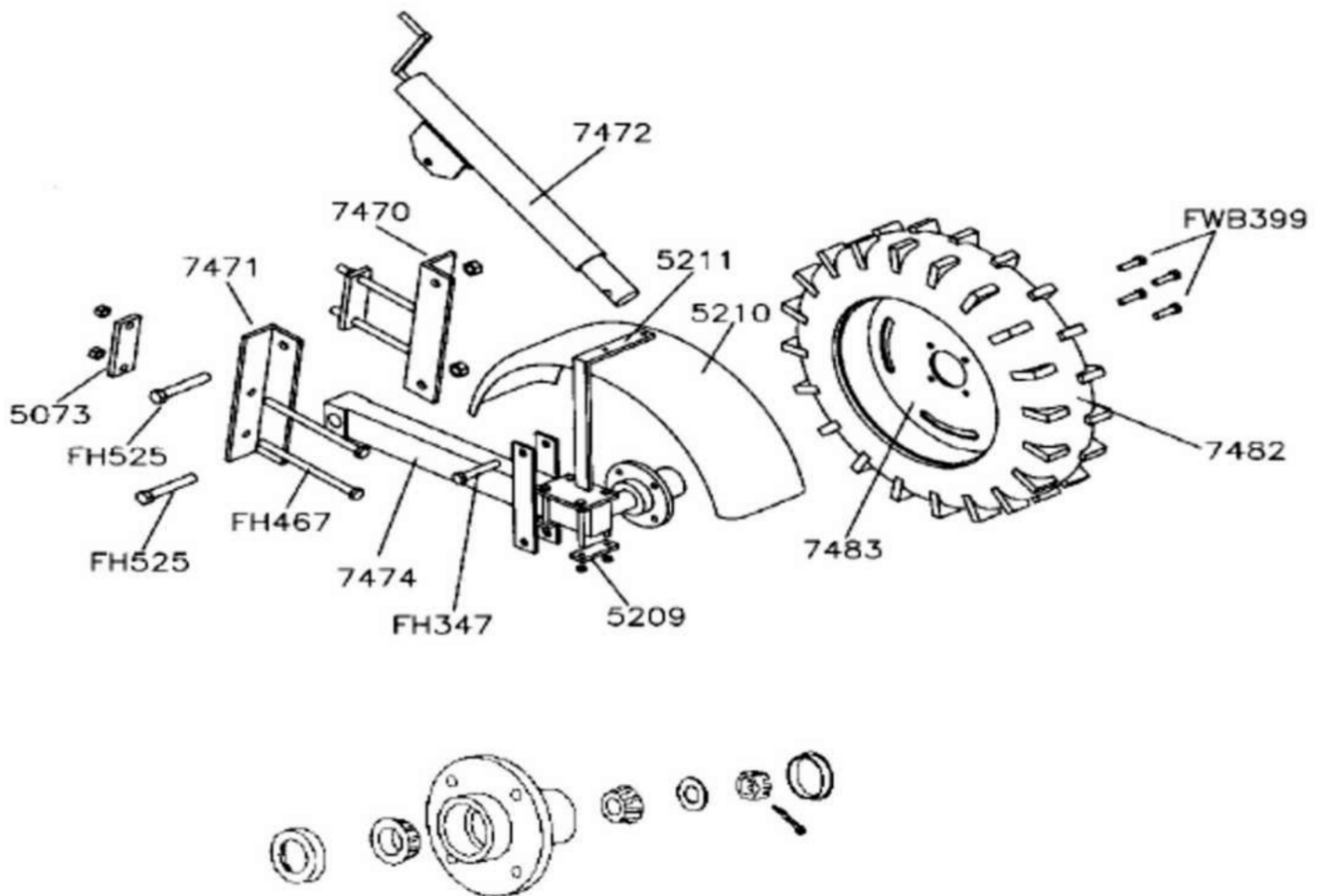
Gearbox Parts

- 4801 Gear box main housing
- 4802 Gear box pinion housing
- 4803 Gear box pinion shaft
- 4805 Gear box pinion shaft gear
- 4806 Gear box gear shaft gear
- 4807 Gear box bearing
- 4808 Gear box seal
- 4809 Gear box large snap ring
- 4811 Gear box pipe plug
- 4812 Gear box key
- 4814 Gear box small snap ring
- 5136 Gear box input shaft



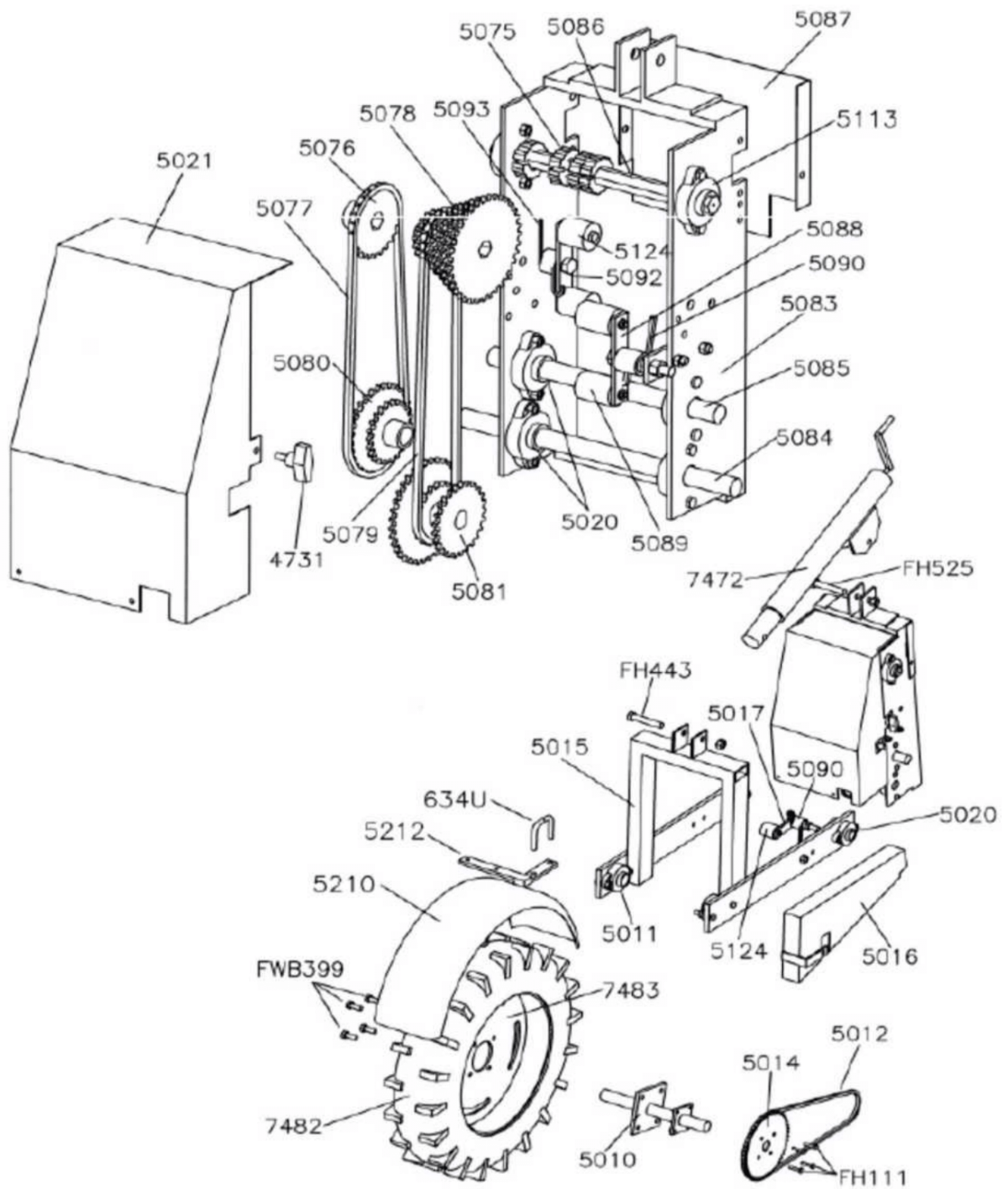
OE 90 Gauge Wheel Drive Parts

4731	Bolt with handle for guard	5087	Small drive guard
5010	Drive wheel hub	5088	Chain tightener bracket
5011	1-1/4" Flange block bearing	5089	2" Roller for chain tightener
5012	Drive wheel chain	5090	7 Coil chain tightener spring
5014	50 Tooth drive sprocket	5092	Chain tightener bracket
5015	Main drive wheel frame	5093	5 Coil chain tightener spring
5016	Rear drive sprocket chain guard	5113	7/8" Hex flange block bearing
5017	Chain tightener arm	5124	Chain tightener roller (1-1/2" long)
5020	1" Flange block bearing	5210	Fender less mounting bracket
5021	Large drive guard	5211	Dummy gauge wheel fender bracket
5075	Rubber spacer	5212	Drive wheel fender mounting bracket
5076	Single hex bore sprocket	5213	Fender assembly for dummy gauge wheel
5077	Double sprocket cluster chain	5214	Fender assembly for drive wheel
5078	Six sprocket cluster	7472	Crank jack
5079	Six sprocket cluster chain	7482	5.90x15 Traction tire
5080	Double sprocket cluster	7483	Wheel rim only
5081	Triple sprocket cluster	FH111	1/4x1-1/4 Hex head bolt
5083	Drive frame	FH525	3/4x4" Hex head bolt
5084	Lower drive shaft	FH443	5/8x3-1/2" Hex head bolt
5085	Middle drive shaft	FWB399	9/16x1-3/4" Wheel stud bolt
5086	Upper hex drive shaft		



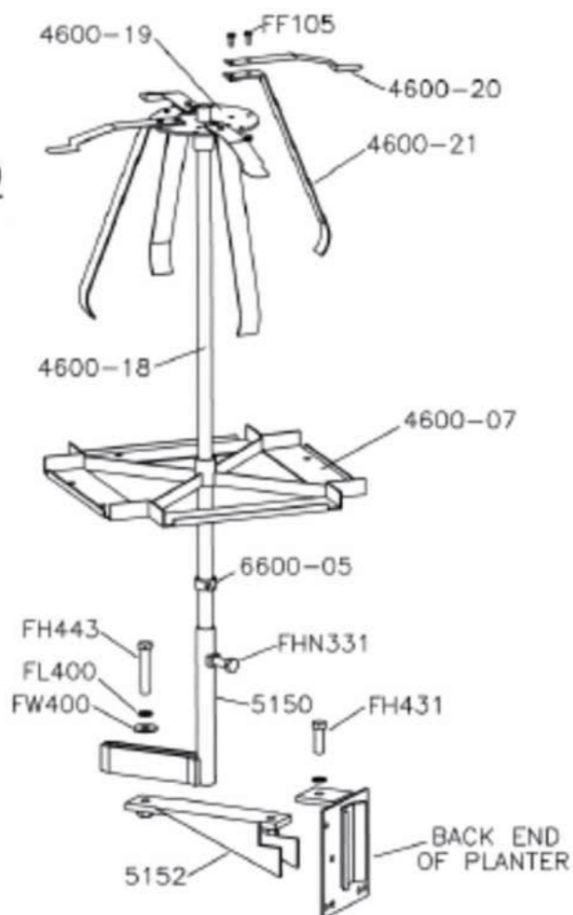
COMPLETE HUB ASSEMBLY—PART# 7475

BEARINGS AND SEALS—PART# 7476

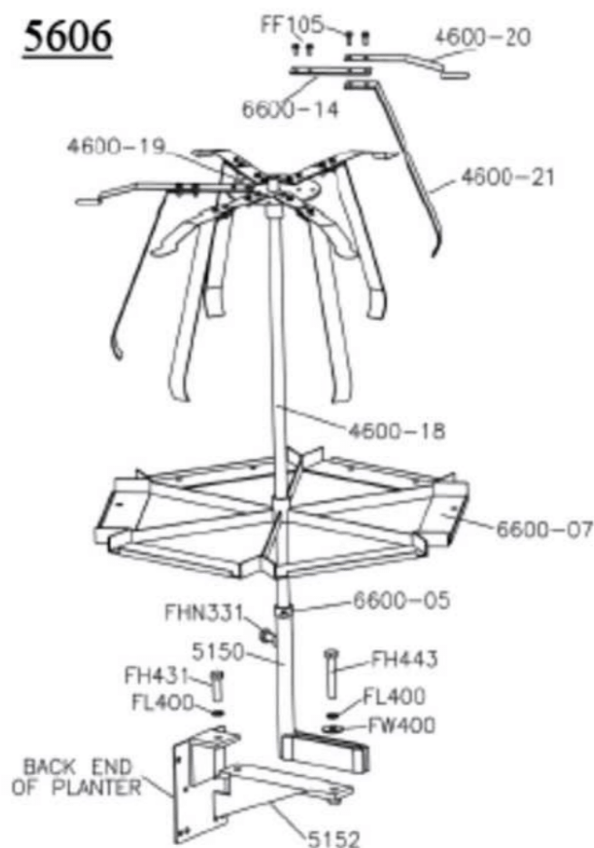


Carrousel Tray Holders

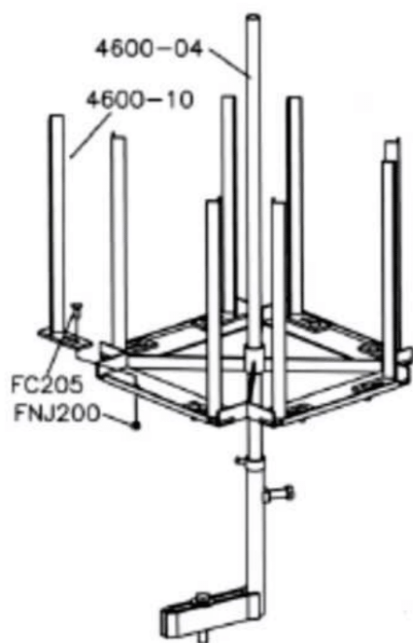
5600



5606



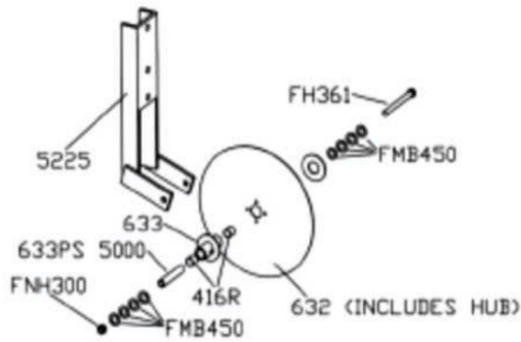
5601



- 4600-04 Plastic Tray Pipe
- 4600-07 4 Place Bottom Tray
- 4600-10 Plastic Tray Holder Arm
- 4600-18 Carrousel Pipe
- 4600-19 Top Disc
- 4600-20 Top Spring Plate
- 4600-21 Back Spring Plate
- 5150 Carrousel Arm
- 5152 Carrousel Base
- 6600-05 Carrousel Collar
- 6600-07 6 Place Bottom Tray
- FC205 3/8x3/4" Carriage Bolt
- FF105 1/4x3/4" Flange Bolt
- FH431 5/8x2" Hex Head Bolt
- FH443 5/8x3-1/2" Hex Head Bolt
- FHN331 1/2x1" Nylon Hex Head Bolt
- FL400 5/8" Lock Washer
- FNJ200 3/8" Jam Nut
- FW400 5/8" Flat Washer

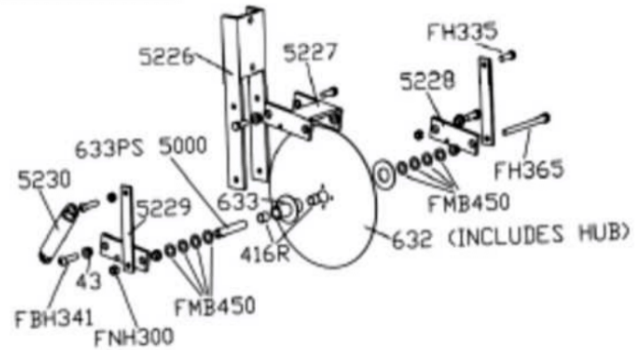
Coulter Options

OE 65 5000



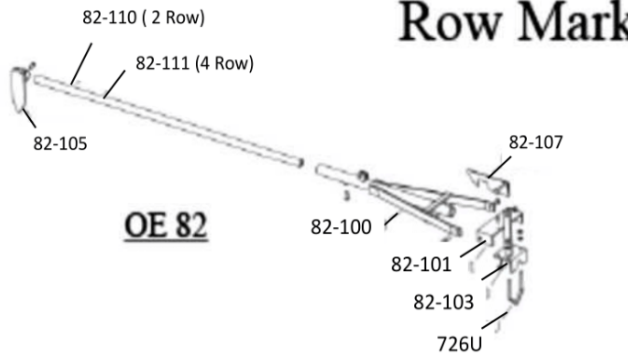
- 43 1/2" Bushing with Shoulder
- 416R 3/4" Bushing for Coulters
- 632 14" Coulter with Hub
- 633 Coulter Hub (Includes 416R's)
- 633PS 5000 Pipe Spacer
- 5225 Bracket for Rigid Coulter Assm.
- 5226 Bracket for Spring Loaded Coulter Assm.
- 5227 Top Scissor Arm

OE 65 5000SP

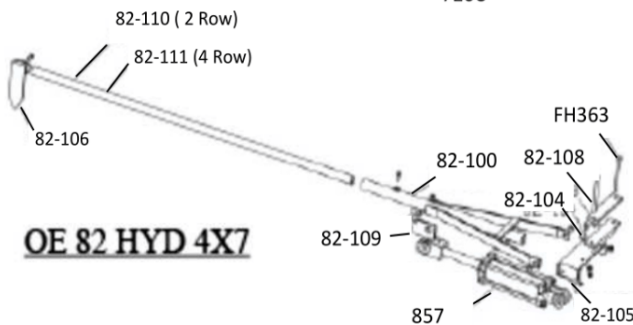


- 5228 Bottom Scissor Arm (ea)
- 5229 Back Leg for Scissor
- 5230 Coulter Spring
- FBH341 1/2x2-1/4" Button Head Bolt
- FH335 1/2x1-1/2" Hex Head Bolt
- FH361 1/2x5-1/2" Hex Head Bolt
- FH365 1/2x6-1/2" Hex Head Bolt
- FMB450 3/4" Machinery Bushing
- FNH300 1/2" Hex Nut

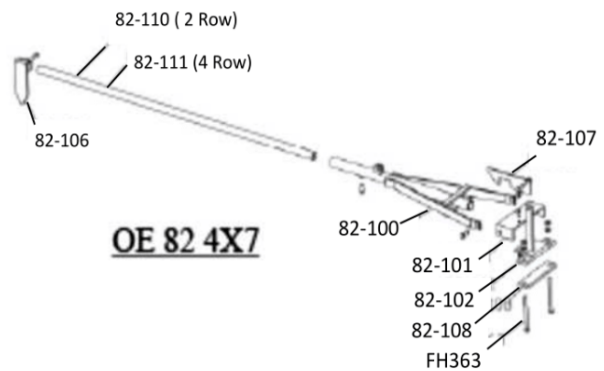
Row Marker Options



OE 82



OE 82 HYD 4X7



OE 82 4X7

- 82-100 A-Frame
- 82-101 Swivel Bracket
- 82-102 Latch Bracket for 4x7 Bar
- 82-103 Latch Bracket for Diamond Bar
- 82-104 Toolbar Mounting Bracket
- 82-105 Swivel with Cylinder Mount
- 82-106 Marker Point
- 82-107 Latch
- 82-108 1/2 x 2 x 9-1/8 Securing Plate
- 82-109 Cylinder Swivel
- 82-110 2-Row Pipe
- 82-111 4-Row Pipe
- 726U 1/2" U-Bolt for Toolbar Clamps
- 857 3 x 8" Hydraulic Cylinder
- FH363 1/2 x 6" Hex Head Bolt