

Model 5000WD Parts List

Part#	Description	Part#	Description
12	Direct drive tire and rim	5096	Door hinge pin
15	Chain guard clip pin	5097	Door for cup
31	Direct drive rear frame	5099	Pipe timing lock
32	Wheel chain tightener spring	5124	1-1/2" Chain tightener roller
33	Wheel chain tightener arm	5141	Twin cup mounting
35	Lift chain	5156	Shoe adjustment bolt assembly
38	Wheel hub with sprocket	5189	Hose barb
39	Direct drive front frame	5190	Coupler
40	Left clamp less u-bolt	5191	90 Degree elbow
41	34 Link, #32 flat chain	5193	Thumb screw
42	Right clamp less u-bolt	5195	Large inside dial
43	1/2" Bushing with shoulder	5196	Small outside dial
44	Chain lift plate	5197	Water dial guard
48	Right clamp	5199	Trip channel on pump rod
49	Left clamp	5501	Side plate, guard side
328	3/4" Flange block bearing	5502	Side plate, water side
373	Unit chin tightener and kicker spring	5503	Front plate
376S	Tension spring	5504	Back plate
381	7 Tooth spacing sprocket	5505	Top plate with gear box mounting
381I	7 Tooth idler sprocket	5506	Inspection plate
382	8 Tooth spacing sprocket	5507	Wheel yoke
383	9 Tooth spacing sprocket	5508	Long nut for wheel adjustment
384	10 Tooth spacing sprocket	5509	Crank assembly
385	11 Tooth spacing sprocket	5510	Front shoe mount bracket
386	Direct drive (drawbar) shaft	5512	Footrest bracket
386P	Clip pin for drawbar shaft	5513	Footrest mounting plate
434	7/8" Oilite bushing	5514	Adjustable footrest bracket
462	11 Tooth drive wheel sprocket	5515	Footrest
521	Roll pin	5519	Guard support bracket
522	Clip pin	5520	Right 5000W axle
529CO	5000W wheel scraper blade	5521	Left 5000W axle
533CO	Scraper bracket with blades	5522	3-1/2" Wide packer wheel
610 89	Air valve float ball	5523	3" Wide packer wheel
611	Nylon water valve seat	5524	L-bracket for wheel scrapers
612L	Ball valve with brass pin (after 2000)	5525	Wheel scraper mounting plate
639AHDD	Adjustable packing wheel hub	5526	Kicker arm mounting plate
726L	L-shaped seat bracket	5527	Kicker arm
740	7/8" U-bolt	5528	Spur gear guard
926	Sealed bearing	5529	Water valve housing
1000VS	Water valve shut off	5530	Water valve roller trip assembly
4610	10 Tooth, 5/8" bore sprocket	5531	Drop tube
5000K	Kicker deflector	5532	Water valve for 5000W
5000WWS	Plastic shield only	5550	Jackshaft
5001	Water valve cap	5551	18 Tooth spacing gear
5006	Water valve "T"	5552	20 Tooth spacing gear
5009L	Water pump rod (after 2000)	5553	22 Tooth spacing gear
5026	Adjustable shoe	5554	24 Tooth spacing gear
5026P	Poly sided adjustable shoe	5555	26 Tooth spacing gear
5026S	Shoe skag	5556	27 Tooth spacing gear
5035	Hex locking plate	5557	32 Tooth spacing gear
5036	Center post for cups	5558	38 Tooth spacing gear
5037	Cup mounting bracket	5560	18 Tooth wheel sprocket
5038	Plastic deflector cap for cups	5561	Guard holder
5039	Cup tube	5562	Rear guard
5040	90 Tooth spur gear	5563	Unit drive chain
5041	2 Shaft gear box	5564	Unit chain tightener
5042	Cup trip bracket	5565	Direct drive mounting plate
5044	15 Tooth spur gear	5566	Direct drive chain guard
5045	5/8" flange block bearing	FC167	5/16x2" Carriage bolt
5047	Aluminum kicker	FH211	3/8x1-1/4" Hex head bolt
5056	Kicker cam	FH333	1/2x1-1/4" Hex head bolt
5067	Shoe cleaner	FSC200	3/8" Set collar
5070	Windshield	FSC500	7/8" Set collar
5073	Front toolbar mounting plate	FW200	3/8" U.S.S. flat washer
5095	Cup door spring	FW450	3/4" U.S.S flat washer



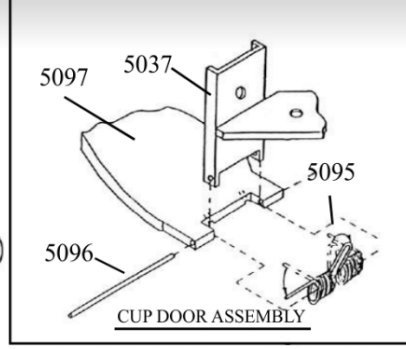
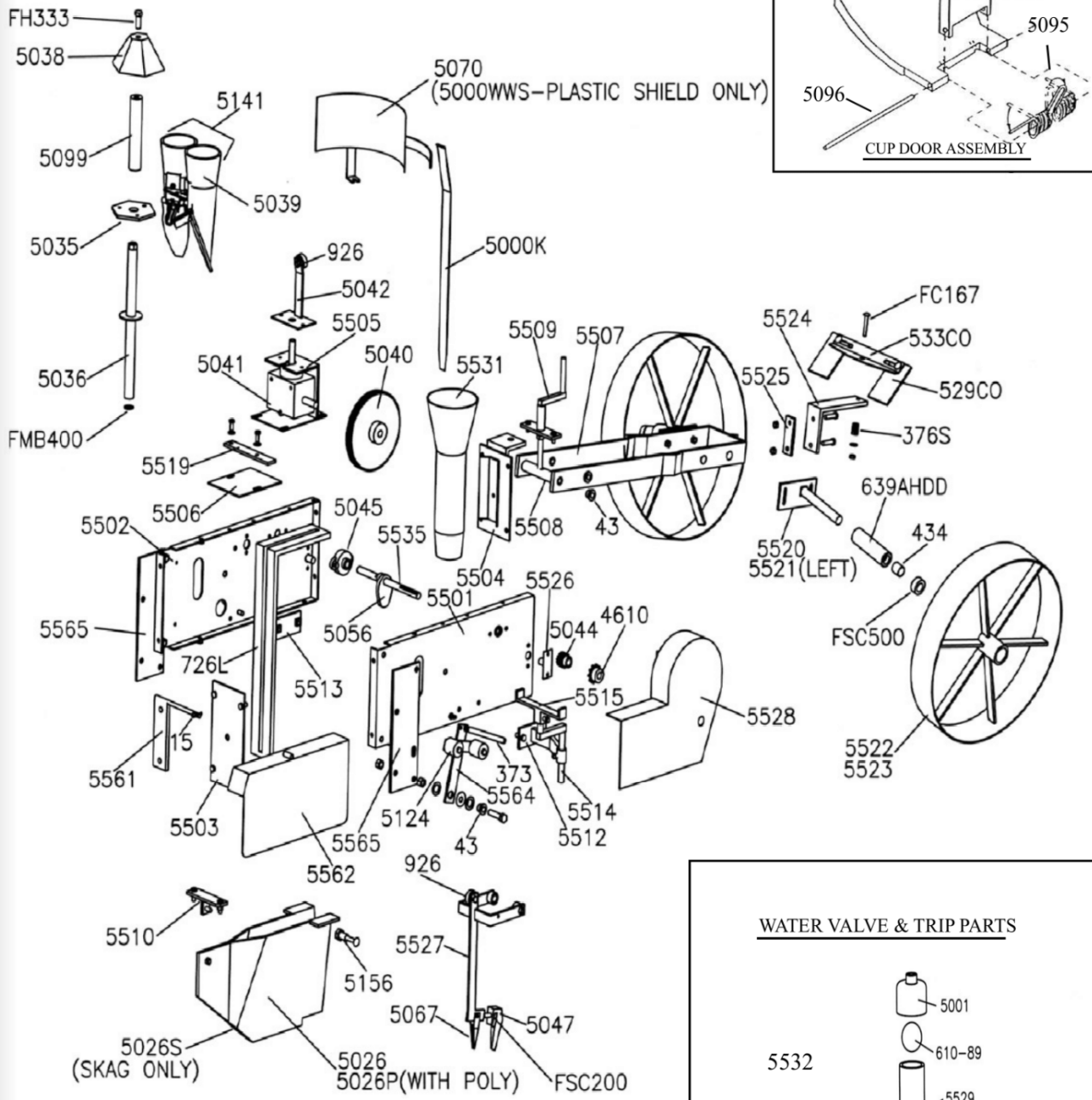
1395 US 17 South
Elizabeth City, NC 27909
Phone: (252) 264-2400

147 Hwy 32 North
Sunbury, NC 27979
Phone: (252) 465-8614

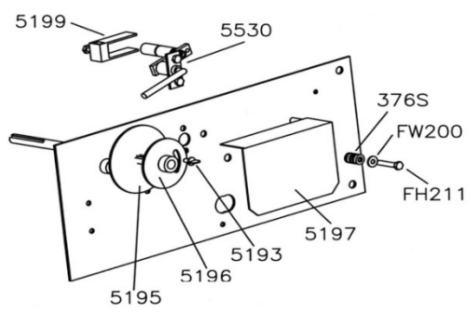
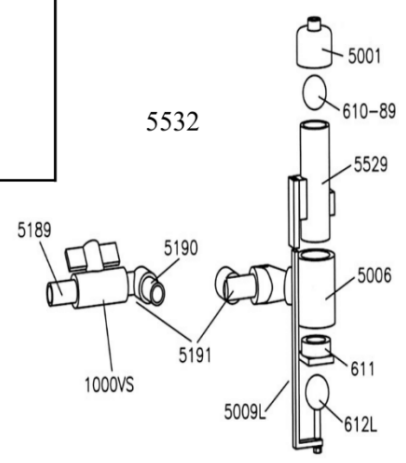
5038 Old Raleigh Road
Wilson, NC 27893
Phone: (252) 237-0006



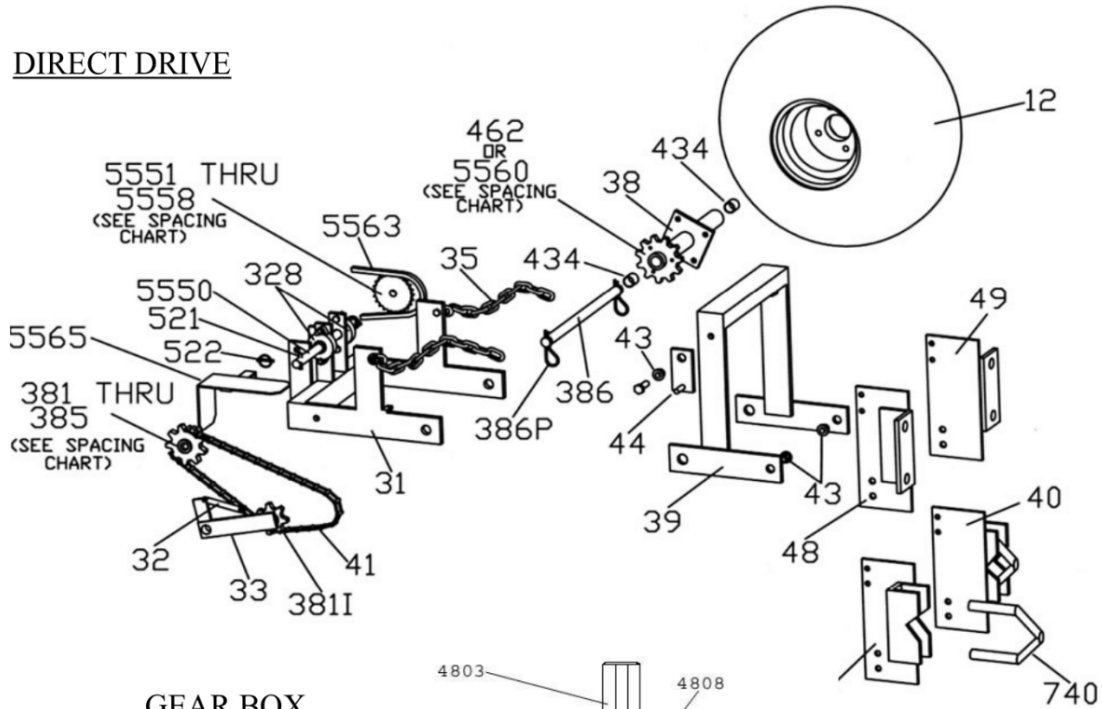
www.bandsent.com



WATER VALVE & TRIP PARTS

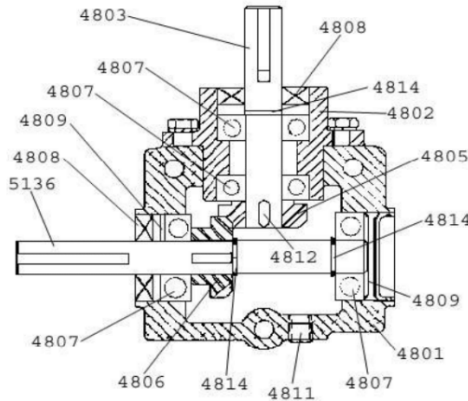


DIRECT DRIVE



GEAR BOX

- 4801 Gear box main housing
- 4802 Gear box pinion housing
- 4803 Gear box pinion shaft
- 4805 Gear box pinion shaft gear
- 4806 Gear box input shaft gear
- 4807 Gear box bearing
- 4808 Gear box seal
- 4809 Gear box large snap ring
- 4811 Gear box pipe plug
- 4812 Gear box key
- 4814 Gear box small snap ring
- 5136 Gear box input shaft



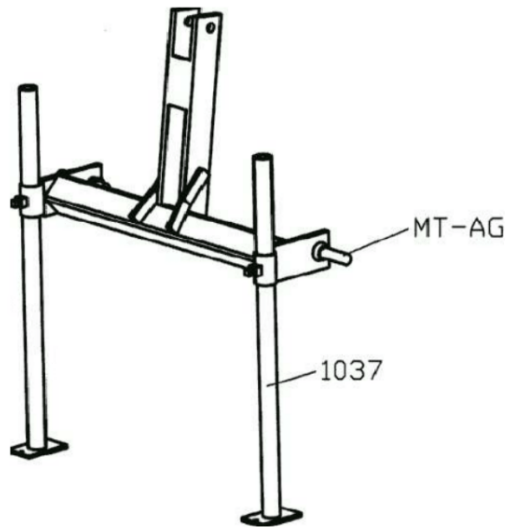
MODEL 5000WD CLOSE SPACING CHART
18 Tooth on Drive Wheel

Metal Plate Sprocket	Plastic Sprocket				
	7	8	9	10	11
38	7"	8-1/2"	9-1/2"	10"	11"
32	9"	10"	12"	13"	14"
27	11"	12-1/2"	13-1/2"	15"	16-1/2"
24	12"	13"	14"	17"	19"
18	16"	17-1/2"	20"	22-1/2"	26"

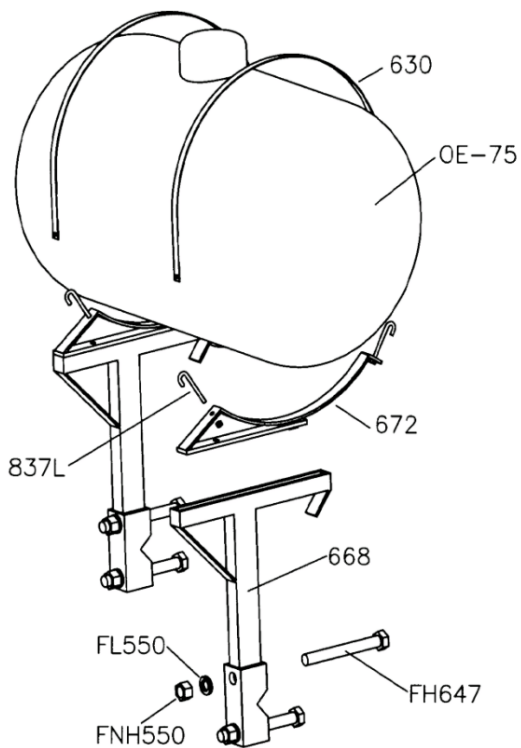
MODEL 5000WD WIDE SPACING CHART
11 Tooth on Drive Wheel

Metal Plate Sprocket	Plastic Sprocket			
	7	8	9	10
18	24"	28-1/2"	32"	35"
20	22-1/2"	26"	28"	31-1/2"
22	21"	23"	26"	30"
24	19"	21"	24"	27"
26	16-1/2"	20"	22"	24-1/2"

H825 Single Row Hitch

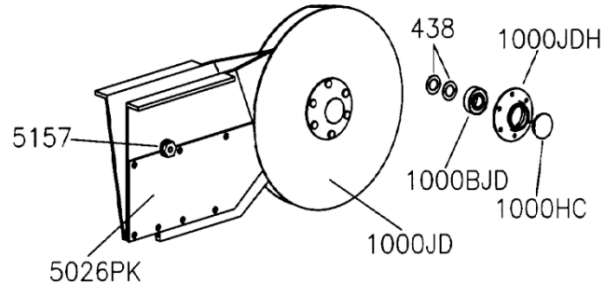


B855 Barrel Mount



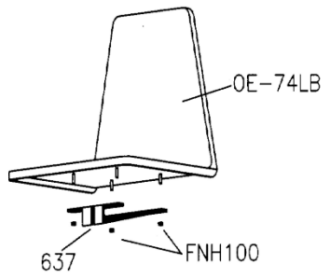
- 630 Barrel strap
- 668 Barrel mount upright
- 672 Barrel mount saddle
- 837L 5/16" J-bolt
- 1037 Pipe stand leg
- FH647 1x9" hex head cap screw
- FL550 1" lock washer
- FNH550 1" hex nut
- MT-AG hitch pin
- OE-75 60 gallon barrel

5026DDS & 5026DDSP Double Disc/Poly Double Disc Shoe



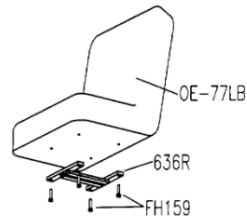
- 438 3/4" machinery bushing
- 1000BJD Double disc bearing
- 1000HC Double disc hub cap
- 1000JD Disc with hub
- 1000JDH Hub with fasteners
- 5026PK Poly kit
- 5157 Shoe adjustment bolt assembly

OE-74 Fiberglass Seat



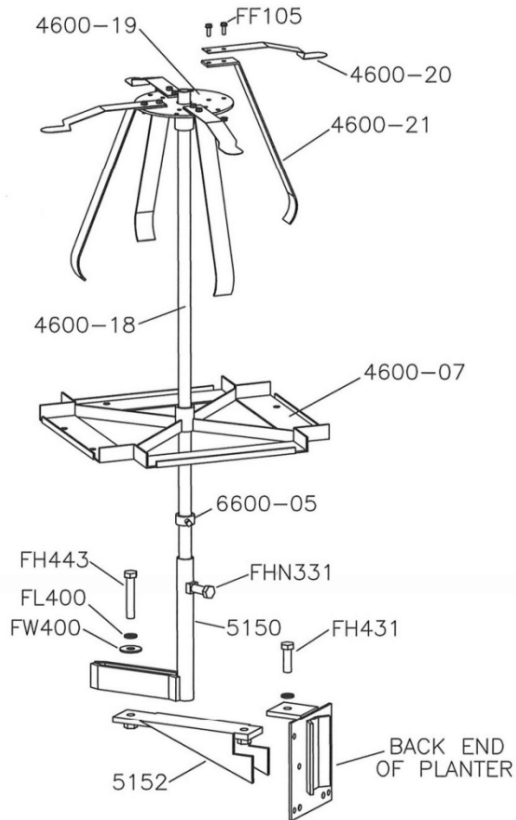
- 636R Cushion seat bracket (red)
- 637 Fiberglass seat bracket
- OE-74LB Fiberglass seat less bracket
- OE-77LB Cushion seat less bracket
- FH159 5/16x1" hex head cap screw
- FNH100 1/4" hex nut

OE-77 Cushion Seat

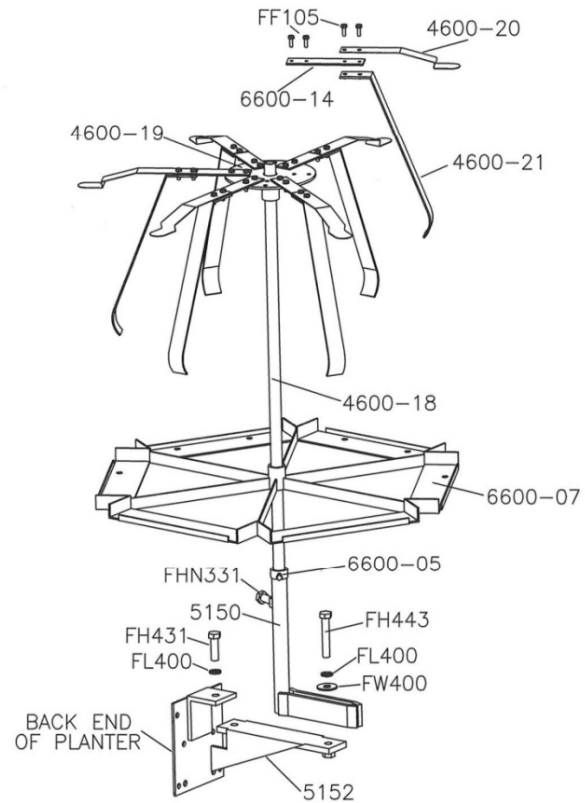


Carrousel Tray Holders

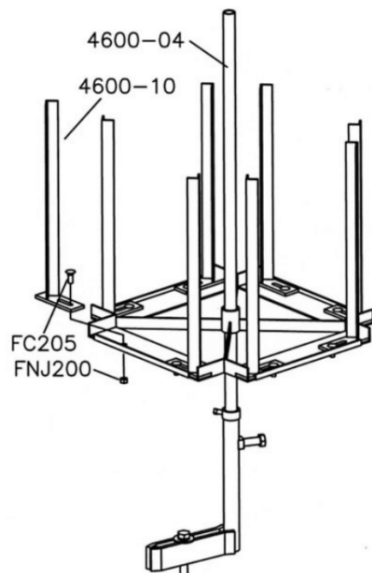
5600



5606



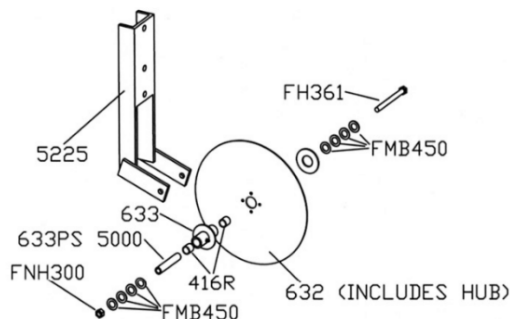
5601



4600-04	Plastic Tray Pipe
4600-07	4 Place Bottom Tray
4600-10	Plastic Tray Holder Arm
4600-18	Carrousel Pipe
4600-19	Top Disc
4600-20	Top Spring Plate
4600-21	Back Spring Plate
5150	Carrousel Arm
5152	Carrousel Base
6600-05	Carrousel Collar
6600-07	6 Place Bottom Tray
FC205	3/8 x 3/4" Carriage Bolt
FF105	1/4 x 3/4" Flange Bolt
FH431	5/8 x 2" Hex Head Bolt
FH443	5/8 x 3-1/2" Hex Head Bolt
FHN331	1/2 x 1" Nylon Hex Head Bolt
FL400	5/8" Lock Washer
FNJ200	3/8" Jam Nut
FW400	5/8" Flat Washer

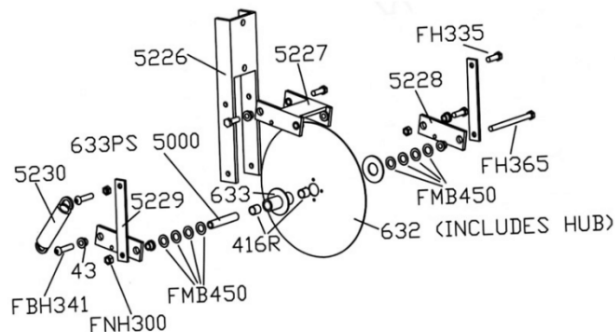
Coulter Options

OE 65 5000



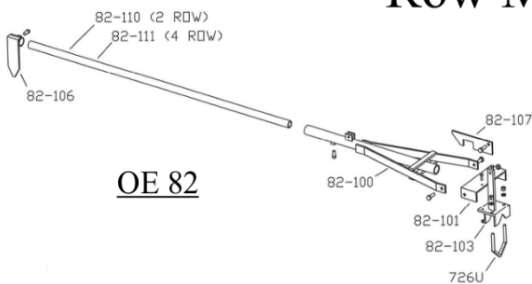
- | | |
|------------|---|
| 43 | 1/2" Bushing with Shoulder |
| 416R | 3/4" Bushing for Coulters |
| 632 | 14" Coulter with Hub |
| 633 | Coulter Hub (Includes 416R's) |
| 633PS 5000 | Pipe Spacer |
| 5225 | Bracket for Rigid Coulter Assm. |
| 5226 | Bracket for Spring Loaded Coulter Assm. |
| 5227 | Top Scissor Arm |

OE 65 5000SP

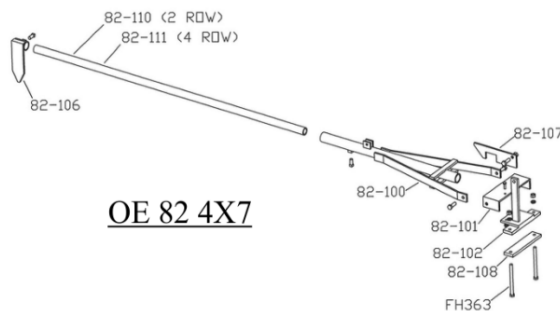


- | | |
|--------|-----------------------------|
| 5228 | Bottom Scissor Arm (ea) |
| 5229 | Back Leg for Scissor |
| 5230 | Coulter Spring |
| FBH341 | 1/2x2-1/4" Button Head Bolt |
| FH335 | 1/2x1-1/2" Hex Head Bolt |
| FH361 | 1/2x5-1/2" Hex Head Bolt |
| FH365 | 1/2x6-1/2" Hex Head Bolt |
| FMB450 | 3/4" Machinery Bushing |
| FNH300 | 1/2" Hex Nut |

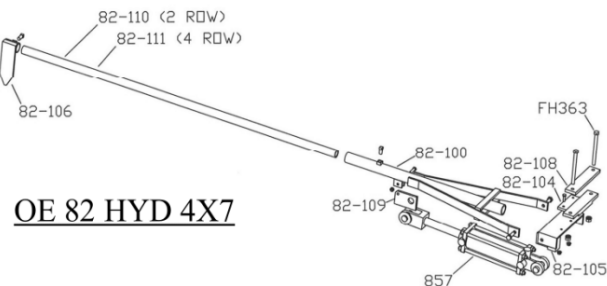
Row Marker Options



OE 82



OE 82 4X7



OE 82 HYD 4X7

- | | | | |
|--------|-------------------------------|--------|--------------------------------|
| 82-100 | A-Frame | 82-108 | 1/2 x 2 x 9-1/8 Securing Plate |
| 82-101 | Swivel Bracket | 82-109 | Cylinder Swivel |
| 82-102 | Latch Bracket for 4x7 Bar | 82-110 | 2-Row Pipe |
| 82-103 | Latch Bracket for Diamond Bar | 82-111 | 4-Row Pipe |
| 82-104 | Toolbar Mounting Bracket | 726U | 1/2" U-Bolt for Toolbar Clamps |
| 82-105 | Swivel with Cylinder Mount | 857 | 3 x 8" Hydraulic Cylinder |
| 82-106 | Marker Point | FH363 | 1/2 x 6" Hex Head Bolt |
| 82-107 | Latch | | |