

MECHANICAL TRANSPLANTER

MODEL 5000 PARTS LIST

<u>Part#</u> -- <u>Description:</u>	<u>Part#</u> -- <u>Description:</u>
43 1/2" Shoulder bushing	5054 Lift chain on scissor hitch
373 Unit chin tightener and kicker spring	5055 Crank Assembly for ski
376S Tension spring	5056 Kicker cam
434 7/8" Oilite bushing	5057 Drop tube
610 89 Air valve float ball	5058 U-shaped clip for tube
611 Nylon water valve seat	5059 Rear frame plate
612L Ball valve with brass pin (after 2000)	5060 Footrest clips
926 Sealed bearing	5061 Footrest
1000VS Water valve shut off	5063 Front chain guard
4610 10 tooth, 5/8" bore sprocket	5064 Large spur gear guard
4712 5/8" Bearing for kicker plate	5065 Swing arm for seat
4718 12 Tooth, 5/8" bore sprocket (wide spacing)	5066 Kicker arm mounting plate
4801 Gear box main housing	5067 Shoe cleaner
4802 Gear box pinion housing	5070 Windshield
4803 Gear box pinion shaft	5071 Seat bracket
4805 Gear box pinion shaft gear	5072 Leveling arm
4806 Gear box gear shaft gear	5073 Front toolbar mounting plate
4807 Gear box bearing	5074 1" Stainless steel drive shaft (per foot)
4808 Gear box seal	5082 Unit drive chain
4809 Gear box large snap ring	5095 Cup door spring
4811 Gear box pipe plug	5096 Door hinge pin
4812 Gear box key	5097 Door for cup
4814 Gear box small snap ring	5098 1" coupler
5000K Kicker deflector	5099 Pipe timing lock
5000WWS Plastic shield only	5111 Transtorque bushing
5001 Water valve cap	5112 35 Tooth plate sprocket
5004 Water valve housing	5124 1-1/2" chain tightener roller
5006 Water valve "T"	5136 Gear box input shaft
5009L Water pump rod (after 2000)	5140 Complete top
5012 Drive wheel chain	5141 Twin cup mounting
5019 Mounting Bracket	5149 Pin for mounting front chain guard
5020 1" Flange block bearing	5156 Shoe adjustment bolt assembly
5023 Front frame plate	5159 Inspection plate
5024 Top scissors hitch bracket	5160 Guard support
5025 Bottom scissors hitch bracket	5189 Hose barb
5026 Adjustable shoe	5190 Coupler
5026P Poly sided adjustable shoe	5191 90 degree elbow
5026S Shoe skag	5193 Thumb screw
5027 Main frame plate, left	5194 Cam shaft
5028 Main frame plate, right	5195 Large inside dial
5029 Unit chain tightener bracket	5196 Small outside dial
5030 14" Wide ski bottom	5197 Water dial guard
5030N 10" Wide ski bottom	5198 Water trip arm complete
5031 Stainless Steel screw for ski	5198R Rollers and bolt for trip arm
5032 1/4" Hex nut	5199 Trip channel on pump rod
5033 Metal top of ski	5200 5000 Water valve (after 1999)
5034 Ski support arm	5202 22 Tooth plate sprocket (wide spacing)
5035 Hex locking plate	5203 Left rear packer pad
5036 Center post for cups	5204 Right rear packer pad
5037 Cup mounting bracket	5205 Left bracket for #5203
5038 Plastic deflector cap for cups	5206 Right bracket for #5204
5039 Cup tube	5207 Short to long packer pad conversion
5040 90 Tooth spur gear	FC209 3/8x1" Carriage bolt
5041 2 Shaft gear box	FH211 3/8x1-1/4" Hex head bolt
5042 Cup trip bracket	FH221 3/8x2-1/2 Hex head bolt
5043 Gear box mounting plate	FH333 1/2x1-1/4" Hex head bolt
5044 15 Tooth spur gear	FH521 3/4x3-1/2" Hex head bolt
5045 5/8" Flange block bearing	FHN435 5/8x2-1/2" Nylon hex head bolt
5046 5/16x3/4" Thumb screw	FMB400 5/8" Machinery bushing
5047 Aluminum kicker	FNH200 3/8" Hex nut
5049 Main kicker arm	FSC200 3/8" set collar
5051 Ski adjustment yoke	FW200 3/8" U.S.S. flat washer
5052 Shoe Mounting bracket	FW450 3/4" U.S.S flat washer
5053B Brass ski adjustment nut	



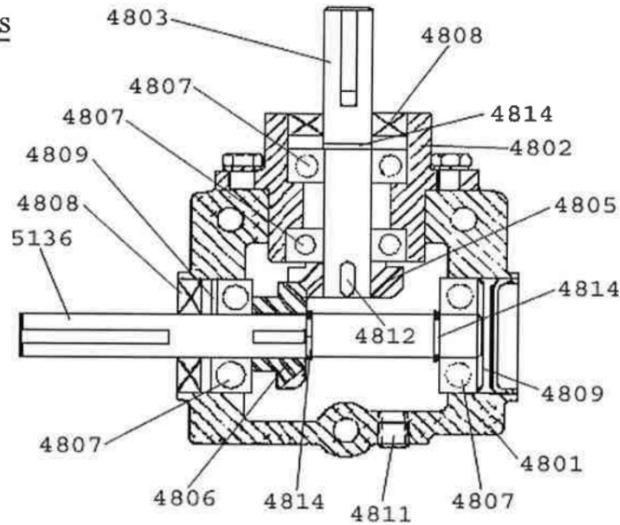
1395 US Hwy 17 South
Elizabeth City, NC 27909
Phone: (252)264-2400

147 Hwy 32 North
Sunbury, NC 27979
Phone: (252)465-8614

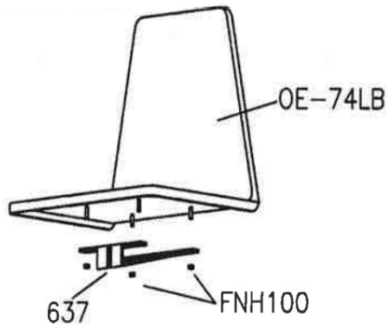
5038 Old Raleigh Road
Wilson, NC 27893
Phone: (252)237-0006



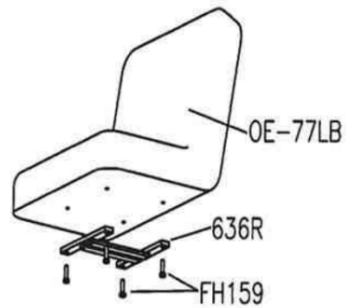
Gearbox Parts



OE-74 Fiberglass Seat



OE-77 Cushion Seat



- 636R Cushion seat bracket (red)
- 637 Fiberglass seat bracket
- OE 74LB Fiberglass seat less bracket
- OE 77LB Cushion seat less bracket
- FH159 5/16x1" hex head cap screw
- FNH100 1/4" hex nut

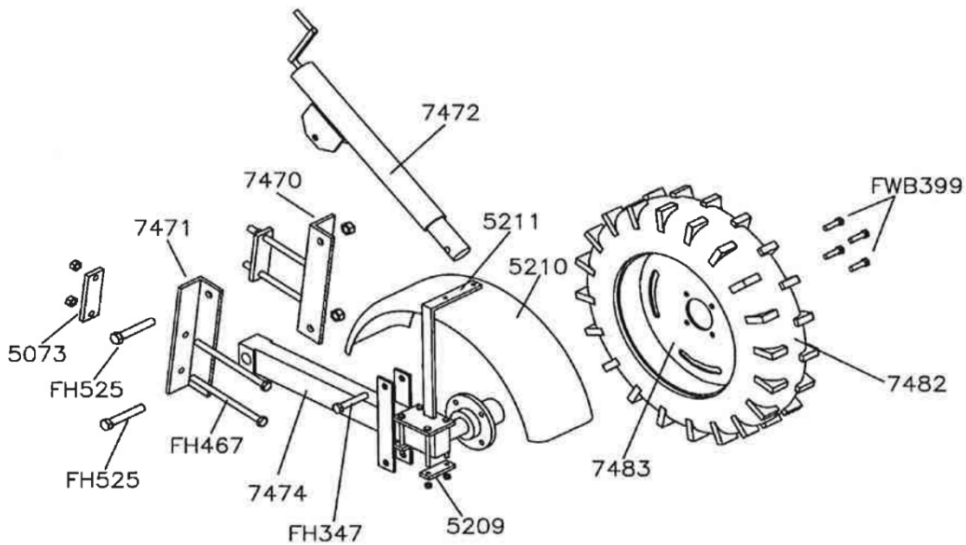
OE 90 Gauge Wheel Drive Parts

Part# -- Description:

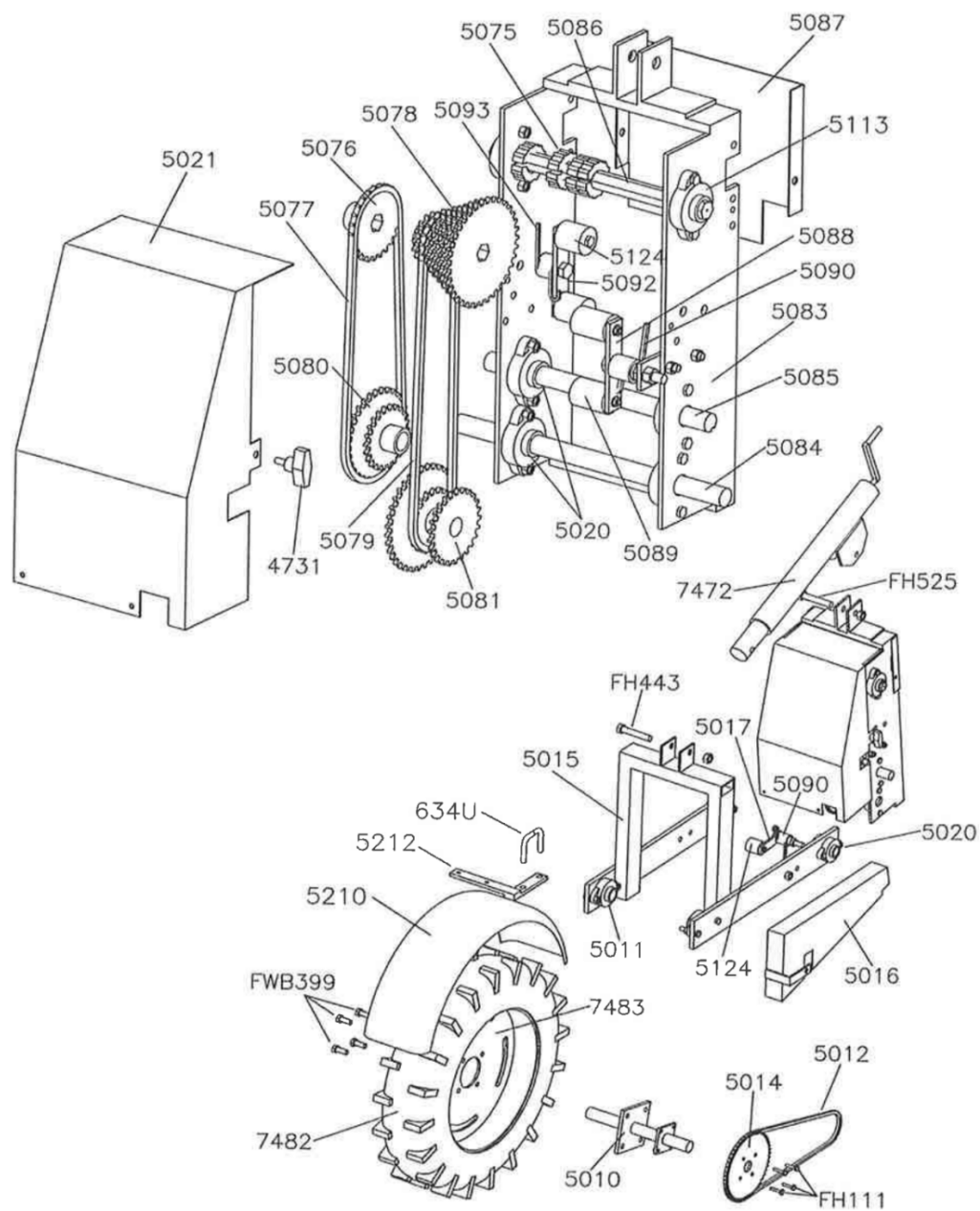
4731	Bolt with handle for guard
5010	Drive wheel hub
5011	1-1/4" Flange block bearing
5012	Drive wheel chain
5014	50 Tooth drive sprocket
5015	Main drive wheel frame
5016	Rear drive sprocketchain guard
5017	Chain tightener arm
5020	1" Flange block bearing
5021	Large drive guard
5075	Rubber spacer
5076	Single hex bore sprocket
5077	Double sprocket cluster chain
5078	Six sprocket cluster
5079	Six sprocket cluster chain
5080	Double sprocket cluster
5081	Triple sprocket cluster
5083	Drive frame
5084	Lower drive shaft
5085	Middle drive shaft
5086	Upper hex drive shaft

Part# -- Description:

5087	Small drive guard
5088	Chain tightener bracket
5089	2" Roller for chain tightener
5090	7 Coil chain tightener spring
5092	Chain tightener bracket
5093	5 Coil chain tightener spring
5113	7/8" Hex flange block bearing
5124	Chain tightener roller (1-1/2" long)
5210	Fender less mounting bracket
5211	Dummy gauge wheel fender bracket
5212	Drive wheel fender mounting bracket
5213	Fender assembly for dummy gauge wheel
5214	Fender assembly for drive wheel
7472	Crank jack
7482	5.90x15 Traction tire
7483	Wheel rim only
FH111	1/4x1-1/4 Hex head bolt
FH525	3/4x4" Hex head bolt
FH443	5/8x3-1/2" Hex head bolt
FWB399	9/16x1-3/4" Wheel stud bolt

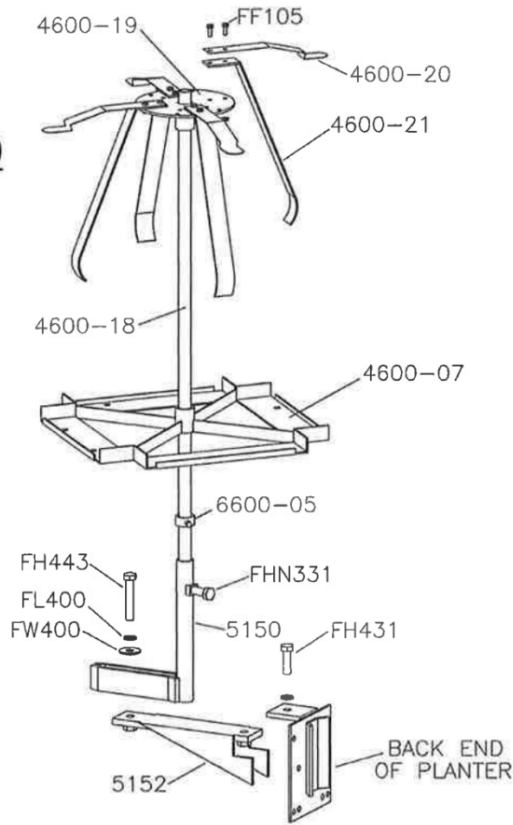


COMPLETE HUB ASSEMBLY — PART #7475
BEARINGS AND SEALS — PART #7476

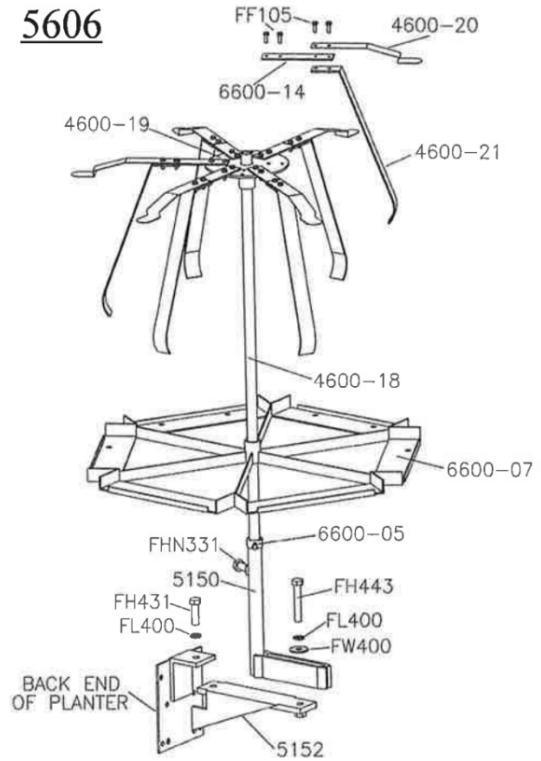


Carrousel Tray Holders

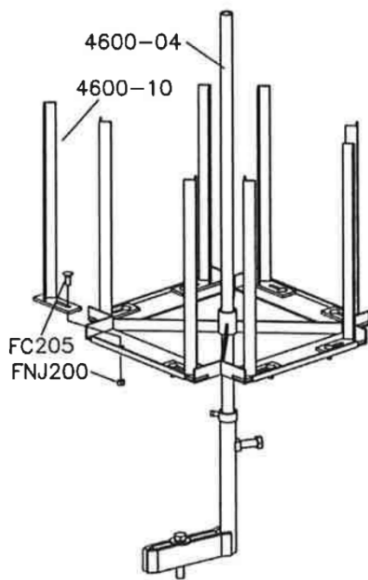
5600



5606



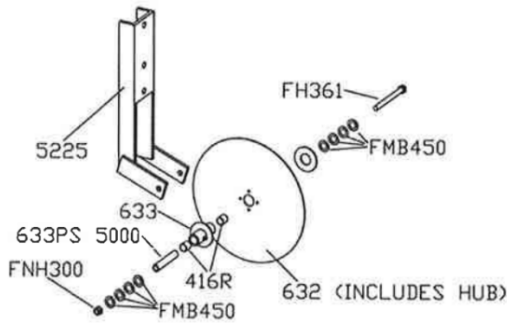
5601



- 4600-04 Plastic Tray Pipe
- 4600-07 4 Place Bottom Tray
- 4600-10 Plastic Tray Holder Arm
- 4600-18 Carrousel Pipe
- 4600-19 Top Disc
- 4600-20 Top Spring Plate
- 4600-21 Back Spring Plate
- 5150 Carrousel Arm
- 5152 Carrousel Base
- 6600-05 Carrousel Collar
- 6600-07 6 Place Bottom Tray
- FC205 3/8x3/4" Carriage Bolt
- FF105 1/4x3/4" Flange Bolt
- FH431 5/8x2" Hex Head Bolt
- FH443 5/8x3-1/2" Hex Head Bolt
- FHN331 1/2x1" Nylon Hex Head Bolt
- FL400 5/8" Lock Washer
- FNJ200 3/8" Jam Nut
- FW400 5/8" Flat Washer

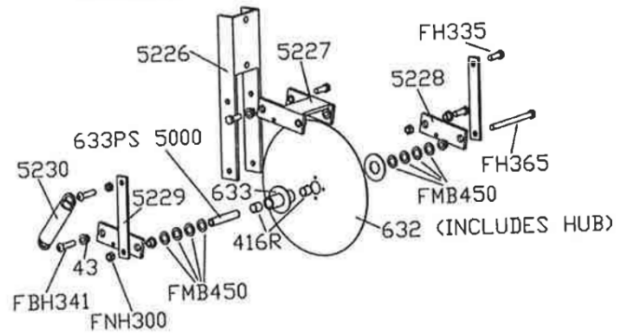
Coulter Options

OE 65 5000



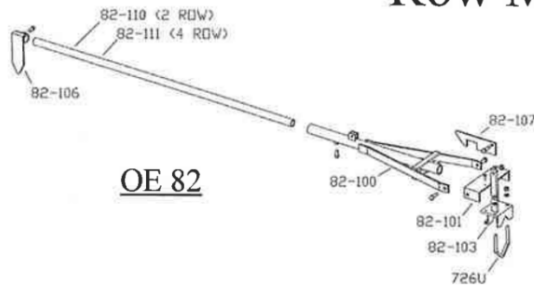
- 43 1/2" Bushing with Shoulder
- 416R 3/4" Bushing for Coulters
- 632 14" Couler with Hub
- 633 Couler Hub (Includes 416R's)
- 633PS 5000 Pipe Spacer
- 5225 Bracket for Rigid Couler Assm.
- 5226 Bracket for Spring Loaded Couler Assm.
- 5227 Top Scissor Arm

OE 65 5000SP

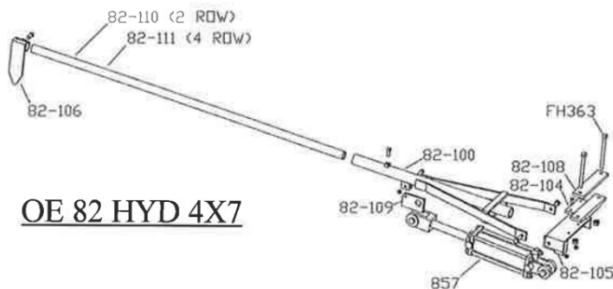


- 5228 Bottom Scissor Arm (ea)
- 5229 Back Leg for Scissor
- 5230 Couler Spring
- FBH341 1/2x2-1/4" Button Head Bolt
- FH335 1/2x1-1/2" Hex Head Bolt
- FH361 1/2x5-1/2" Hex Head Bolt
- FH365 1/2x6-1/2" Hex Head Bolt
- FMB450 3/4" Machinery Bushing
- FNH300 1/2" Hex Nut

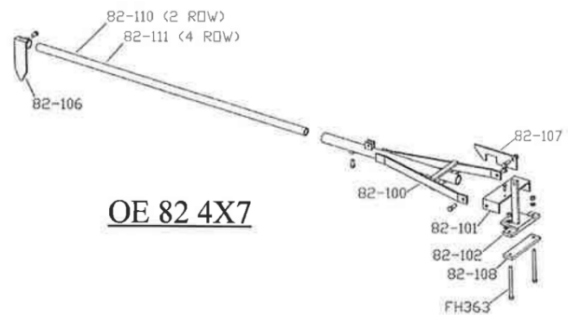
Row Marker Options



OE 82



OE 82 HYD 4X7



OE 82 4X7

- 82-100 A-Frame
- 82-101 Swivel Bracket
- 82-102 Latch Bracket for 4x7 Bar
- 82-103 Latch Bracket for Diamond Bar
- 82-104 Toolbar Mounting Bracket
- 82-105 Swivel with Cylinder Mount
- 82-106 Marker Point
- 82-107 Latch

- 82-108 1/2 x 2 x 9-1/8 Securing Plate
- 82-109 Cylinder Swivel
- 82-110 2-Row Pipe
- 82-111 4-Row Pipe
- 726U 1/2" U-Bolt for Toolbar Clamps
- 857 3 x 8" Hydraulic Cylinder
- FH363 1/2 x 6" Hex Head Bolt