

# Mechanical Transplanter

## Model 5000W Parts List

<u>Part#</u> -- <u>Description</u>	<u>Part#</u> -- <u>Description</u>
43 1/2" Shoulder bushing	5141 Twin cup mounting complete
373 Unit chin tightener and kicker spring	5149 Pin for mounting chain guard
376S Tension spring	5156 Shoe adjustment bolt assembly
434 7/8" Oilite bushing	5189 Hose barb
529CO 5000W wheel scraper blade	5190 Coupler
533CO Wheel scraper assembly	5191 90 degree elbow
610 89 Air valve float ball	5193 Thumb screw
611 Nylon water valve seat	5195 Large inside dial
612L Ball valve with brass pin (after 2000)	5196 Small outside dial
639AHDD Adjustable packing wheel hub	5197 Water dial guard
926 Sealed bearing	5198R Rollers and bolt for trip arm
1000VS Water valve shut off	5199 Trip channel on pump rod
4610 10 tooth, 5/8" bore sprocket	5501 Side plate, guard side
5000K Kicker deflector	5502 Side plate, water side
5000WWS Plastic shield only	5503 Front plate
5001 Water valve cap	5504 Back plate
5006 Water valve "T"	5505 Top plate with gear box mounting
5009L Water pump rod (after 2000)	5506 Inspection plate
5019 Mounting Bracket	5507 Wheel yolk
5020 1" Flange block bearing	5508 Long nut for wheel adjustment
5026 Adjustable shoe	5509 Crank assembly
5026DDS Double disc shoe	5510 Front shoe mount bracket
5026DDSP Poly sided double disc shoe	5512 Footrest bracket
5026P Poly sided adjustable shoe	5513 Footrest mounting plate
5026S Shoe skag	5514 Adjustable footrest bracket
5035 Hex locking plate	5515 Footrest
5036 Center post for cups	5516 Lower scissor hitch arm
5037 Cup mounting bracket	5517 Upper scissor hitch arm
5038 Plastic deflector cap for cups	5518 Seat post
5039 Cup tube	5519 Guard support bracket
5040 90 Tooth spur gear	5520 5000W axle, right
5041 2 Shaft gear box	5521 5000W axle, left
5042 Cup trip bracket	5522 3-1/2" Wide packer wheel
5044 15 Tooth spur gear	5523 3" Wide packer wheel
5045 5/8" Flange block bearing	5524 L-bracket for wheel scrapers
5047 Aluminum kicker	5525 Wheel scraper small mounting bracket
5054 Lift chain on scissor hitch	5526 Kicker arm mounting plate
5056 Kicker cam	5527 Kicker arm
5063 Front chain guard	5528 Spur gear guard
5065 Swing arm for seat	5529 Water valve housing
5067 Shoe cleaner	5530 Water valve roller trip assembly
5070 Windshield	5531 Drop tube
5072 Leveling arm	5532 Water valve for 5000W
5073 Front toolbar securing plate	5533 Carrousel base
5074 Stainless steel shaft (per foot)	5534 Unit drive chain
5095 Cup door spring	FC167 5/16x2" Carriage bolt
5096 Door hinge pin	FH211 3/8x1-1/4" Hex head bolt
5097 Door for cup	FH333 1/2x1-1/4" Hex head bolt
5098 1" "Love-joy" coupler	FH521 3/4x3-1/2" Hex head bolt
5099 Pipe timing lock	FMB400 5/8" Machinery bushing
5111 1" Transtorque bushing	FSC200 3/8" Set collar
5112 35 Tooth sprocket	FSC500 7/8" Set collar
5124 1-1/2" Chain tightener roller	FW200 3/8" U.S.S. flat waher
5140 Complete top	FW450 3/4" U.S.S flat washer



1395 US Hwy 17 South  
Elizabeth City, NC 27909  
Phone: (252)264-2400

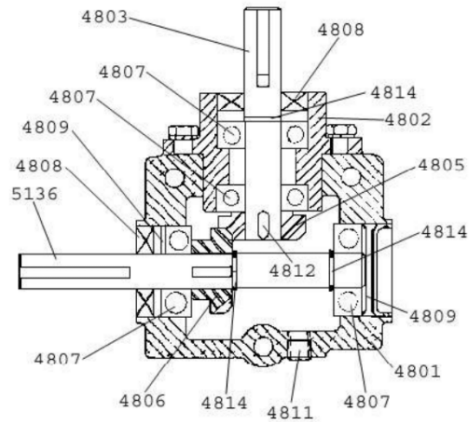
147 Hwy 32 North  
Sunbury, NC 27979  
Phone: (252)465-8614

5038 Old Raleigh Road  
Wilson, NC 27893  
Phone: (252)237-0006

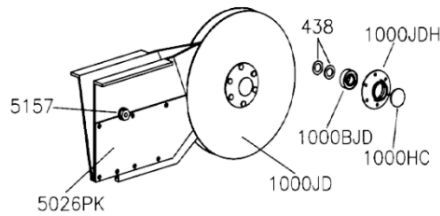


## Gearbox Parts

4801	Gear box main housing
4802	Gear box pinion housing
4803	Gear box pinion shaft
4805	Gear box pinion shaft gear
4806	Gear box gear shaft gear
4807	Gear box bearing
4808	Gear box seal
4809	Gear box large snap ring
4811	Gear box pipe plug
4812	Gear box key
4814	Gear box small snap ring
5136	Gear box input shaft

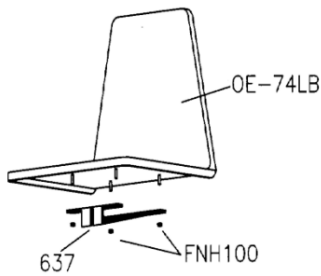


## 5026DDS & 5026DDSP Double Disk/Poly Double Disk Shoe



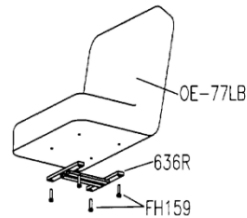
438	3/4" machinery bushing
1000BJD	Double disc bearing
1000HC	Double disc hub cap
1000JD	Disc with hub
1000JDH	Hub with fasteners
5026PK	Poly kit
5157	Shoe adjustment bolt assembly

## OE-74 Fiberglass Seat



- Cushion seat bracket (red)
- Fiberglass seat bracket
- Fiberglass seat less bracket
- Cushion seat less bracket
- 5/16x1" hex head cap screw
- 1/4" hex nut

## OE-77 Cushion Seat



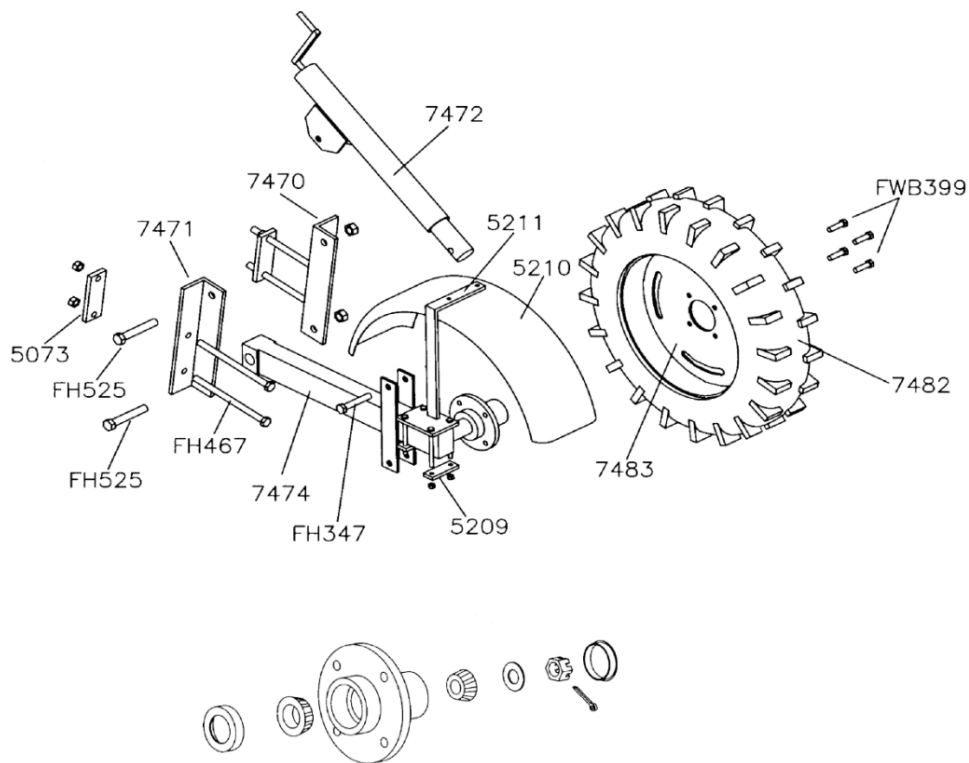
## OE 90 Gauge Wheel Drive Parts

**Part# -- Description:**

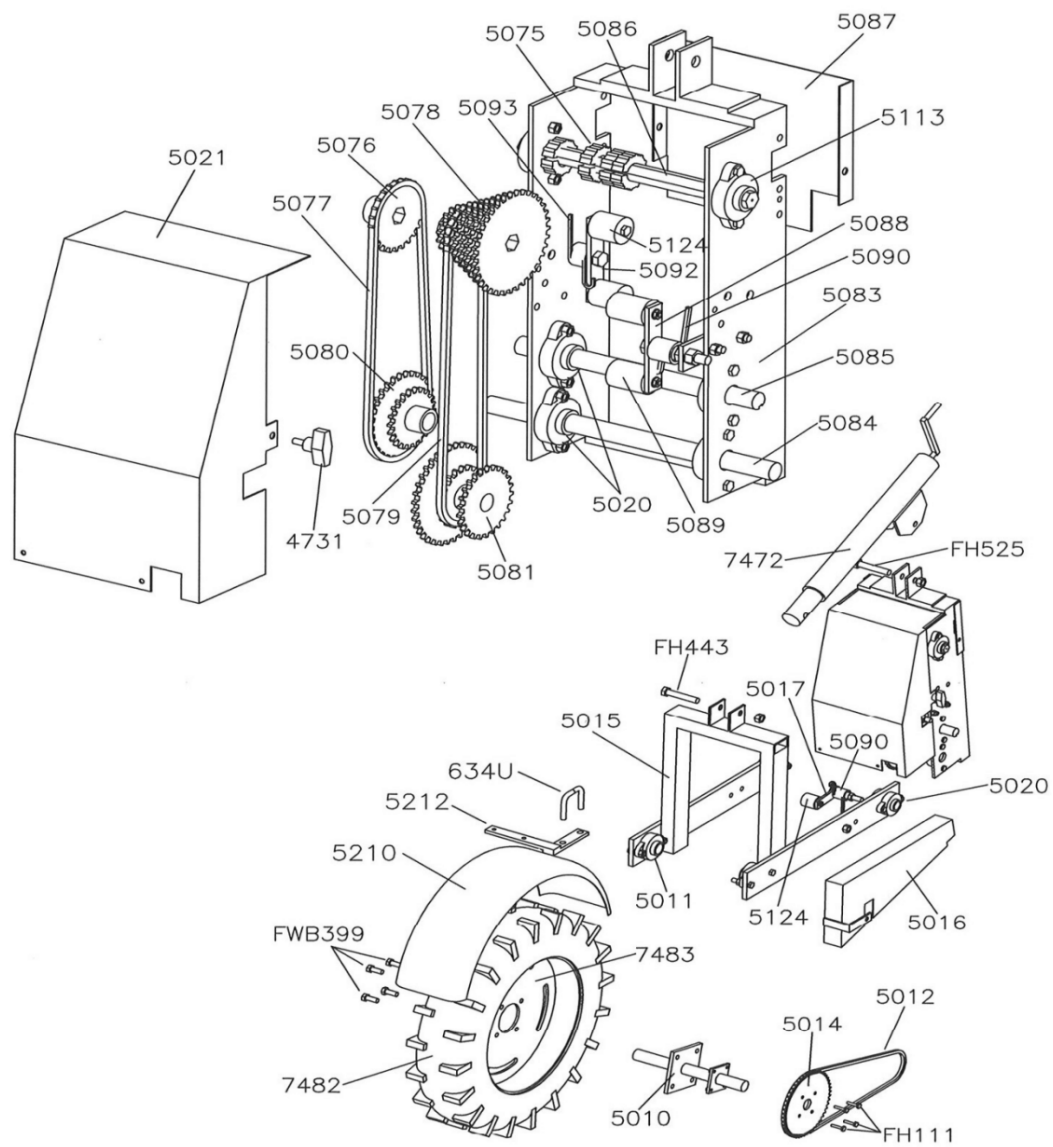
4731	Bolt with handle for guard
5010	Drive wheel hub
5011	1-1/4" Flange block bearing
5012	Drive wheel chain
5014	50 Tooth drive sprocket
5015	Main drive wheel frame
5016	Rear drive sprocketchain guard
5017	Chain tightener arm
5020	1" Flange block bearing
5021	Large drive guard
5075	Rubber spacer
5076	Single hex bore sprocket
5077	Double sprocket cluster chain
5078	Six sprocket cluster
5079	Six sprocket cluster chain
5080	Double sprocket cluster
5081	Triple sprocket cluster
5083	Drive frame
5084	Lower drive shaft
5085	Middle drive shaft
5086	Upper hex drive shaft

**Patr# -- Description**

5087	Small drive guard
5088	Chain tightener bracket
5089	2" Roller for chain tightener
5090	7 Coil chain tightener spring
5092	Chain tightener bracket
5093	5 Coil chain tightener spring
5113	7/8" Hex flange block bearing
5124	Chain tightener roller (1-1/2" long)
5210	Fender less mounting bracket
5211	Dummy guage wheel fender bracket
5212	Drive wheel fender mounting bracket
5213	Fender assembly for dummy guage wheel
5214	Fender assembly for drive wheel
7472	Crank jack
7482	5.90x15 Traction tire
7483	Wheel rim only
FH111	1/4x1-1/4 Hex head bolt
FH525	3/4x4" Hex head bolt
FH443	5/8x3-1/2" Hex head bolt
FWB399	9/16x1-3/4" Wheel stud bolt

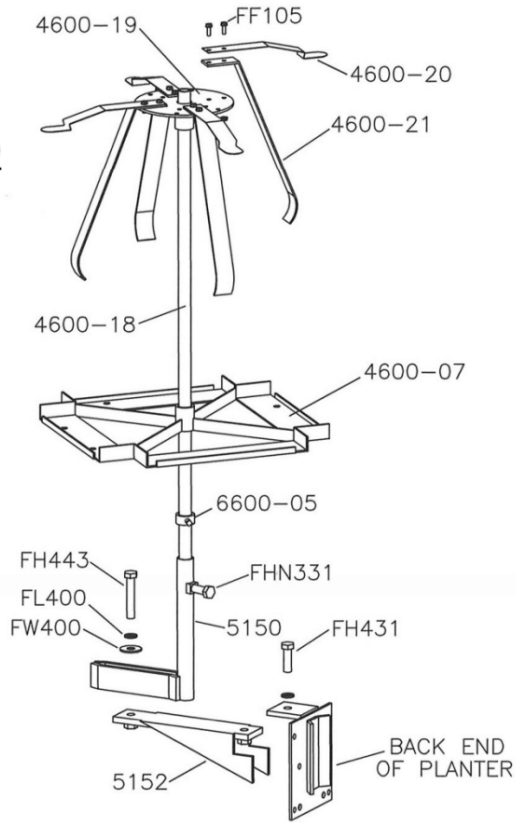


COMPLETE HUB ASSEMBLY — PART #7475  
BEARINGS AND SEALS — PART #7476

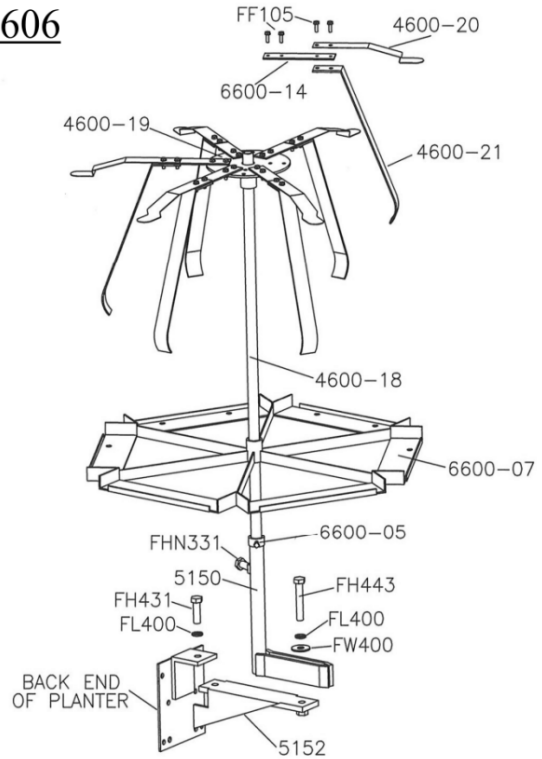


# Carrousel Tray Holders

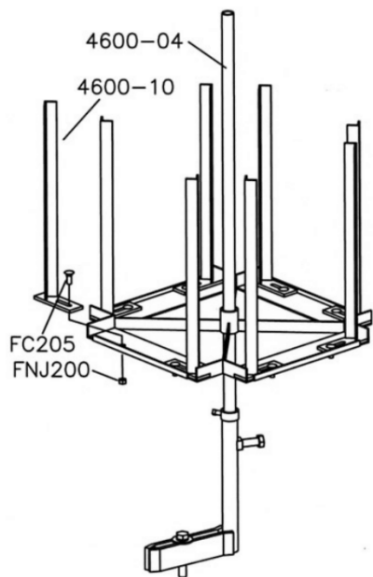
5600



5606



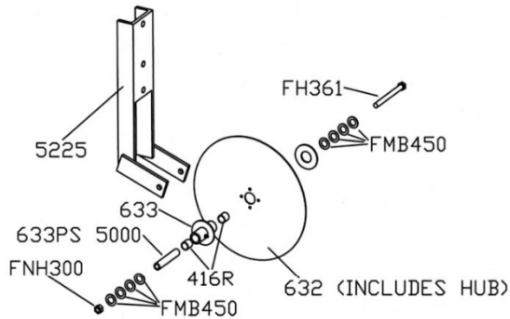
5601



4600-04	Plastic Tray Pipe
4600-07	4 Place Bottom Tray
4600-10	Plastic Tray Holder Arm
4600-18	Carrousel Pipe
4600-19	Top Disc
4600-20	Top Spring Plate
4600-21	Back Spring Plate
5150	Carrousel Arm
5152	Carrousel Base
6600-05	Carrousel Collar
6600-07	6 Place Bottom Tray
FC205	3/8x3/4" Carriage Bolt
FF105	1/4x3/4" Flange Bolt
FH431	5/8x2" Hex Head Bolt
FH443	5/8x3-1/2" Hex Head Bolt
FHN331	1/2x1" Nylon Hex Head Bolt
FL400	5/8" Lock Washer
FNJ200	3/8" Jam Nut
FW400	5/8" Flat Washer

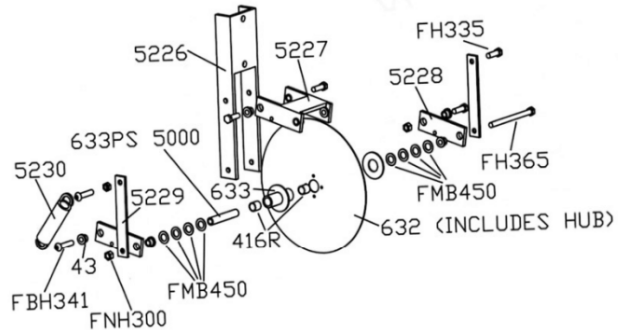
# Coulters Options

## OE 65 5000



43	1/2" Bushing with Shoulder
416R	3/4" Bushing for Coulters
632	14" Couler with Hub
633	Couler Hub (Includes 416R's)
633PS 5000	Pipe Spacer
5225	Bracket for Rigid Couler Assm.
5226	Bracket for Spring Loaded Couler Assm.
5227	Top Scissor Arm

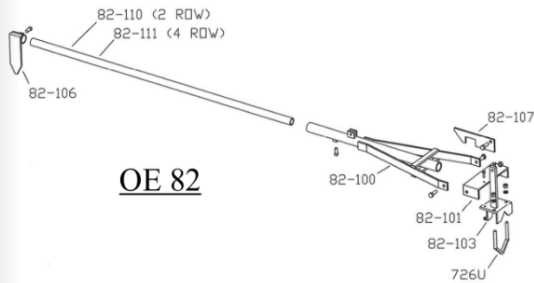
## OE 65 5000SP



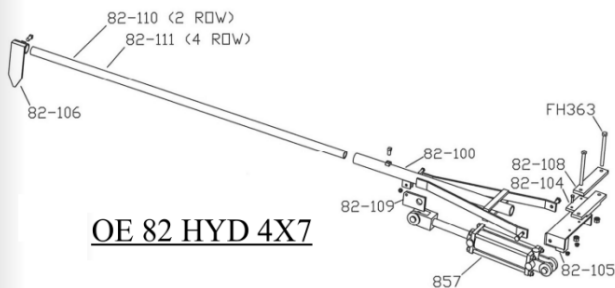
5228	Bottom Scissor Arm (ea)
5229	Back Leg for Scissor
5230	Couler Spring
FBH341	1/2x2-1/4" Button Head Bolt
FH335	1/2x1-1/2" Hex Head Bolt
FH361	1/2x5-1/2" Hex Head Bolt
FH365	1/2x6-1/2" Hex Head Bolt
FMB450	3/4" Machinery Bushing
FNH300	1/2" Hex Nut

# Row Marker Options

## OE 82

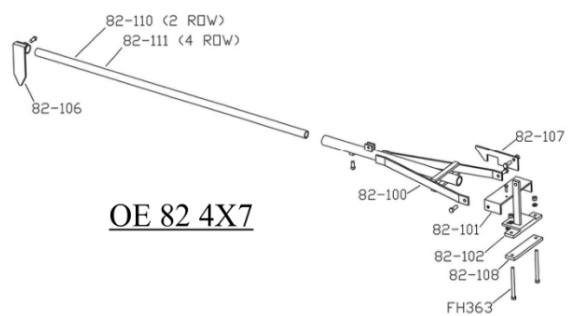


## OE 82 HYD 4X7



82-100	A-Frame
82-101	Swivel Bracket
82-102	Latch Bracket for 4x7 Bar
82-103	Latch Bracket for Diamond Bar
82-104	Toolbar Mounting Bracket
82-105	Swivel with Cylinder Mount
82-106	Marker Point
82-107	Latch

## OE 82 4X7



82-108	1/2 x 2 x 9-1/8 Securing Plate
82-109	Cylinder Swivel
82-110	2-Row Pipe
82-111	4-Row Pipe
726U	1/2" U-Bolt for Toolbar Clamps
857	3 x 8" Hydraulic Cylinder
FH363	1/2 x 6" Hex Head Bolt

