

# Mechanical Transplanter



## Parts List For Models 33 & 33-6000



### Part#--Description:

10--Inside chain guard  
 11--63 Link direct drive chain  
 12--Direct tire & rim  
 14--Outside chain guard  
 15--Chain guard clip pin  
 18--Unit chain tightener bracket  
 19--Chain tightener pipe bearing - short  
 22--Unit chain tightener arm  
 22AL--Left axle for 22 planter  
 22AR--Right axle for 22 planter  
 23--Washer to hold spring  
 24--Chain tightener pipe bearing - long  
 26--Pipe spacer  
 27--Sprocket jackshaft  
 30--Wheel chain tightener pipe bearing  
 31--Drive frame of unit end  
 32--Wheel chain tightener spring  
 32S--Steel drive chain (21 Links)  
 32F--Steel drive chain (per ft.)  
 33--Wheel chain tightener arm  
 33PF--Planter frame  
 35--Lift chain  
 38--Wheel hub w/sprocket  
 39--Drive frame of toolbar end  
 40--Left clamp less U-bolt  
 41--34 Link direct drive chain  
 42--Right clamp ess U-bolt  
 43--Bushing for clamp  
 44--Chain lift plate  
 48--Right 4x7 direct drive clamp  
 49--Left 4x7 direct drive clamp  
 51S--Steel drive chain (per ft.)  
 308--2" Washer for drive sprocket  
 313--1/4x1-1/2" Cotter pin  
 328--3/4" Flange block bearing  
 329--Pipe spacer between uprights  
 348--3/4" Lower shaft for 33-6000  
 348PP--Lower shaft for Model 33  
 355--Lower sprocket  
 355T--Top sprocket for Model 33-6000  
 355DD--14 Tooth sprocket for direct drive  
 356--7/8" Packing wheel axle (before '90)  
 356C--Packer wheel axle cotter pin  
 362--Nylon bushing for lower shaft  
 373--Chain tightener spring  
 374S--Pocket attachment link  
 375--Water trip  
 375W--Water trip washer  
 376--Tension spring (8 pocket)  
 376S--Tension spring (10 & 12 pocket)  
 377S 6--Chain for 6 pocket chain  
 377S 8--Chain for 8 pocket chain  
 377S 10--Chain for 10 pocket chain  
 377S 12--Chain for 12 pocket chain  
 378--5/16" U-bolt  
 379--Upper conveyor sprocket  
 380--Upper sprocket shaft  
 380T--Top sprocket shaft (after 1992)  
 381 6--6 Tooth spacing sprocket  
 381--7 Tooth spacing sprocket  
 381I--7 Tooth idler sprocket  
 382--8 Tooth spacing sprocket  
 383--9 Tooth spacing sprocket

### Part#--Description:

384--10 Tooth spacing sprocket  
 385--11 Tooth spacing sprocket  
 386--Direct drive (drawbar) shaft  
 386P--Shaft clip pin  
 387--Marker blade  
 392--Hose Clamp  
 393--Hose nipple  
 394--Water hose 1" (per ft.)  
 396D--Disc less pockets for 8 or 10 pockets  
 396D 12--Disc less pockets for 12 pockets  
 407--Roller water trip  
 408--Dirt shield  
 415--Sprocket drive pins  
 415L--Longer sprocket pin  
 416--3/4" Oilite bearing  
 416R--3/4" Reamed out bearing for coulters  
 419--1/2" Pin for 420R & 421L tighteners  
 420R--Chain tightener RH  
 421L--Chain tightener LH  
 422--Yoke for marker pipe  
 423--Spring hook for markers  
 428--Top bracket for uprights  
 434--7/8" Oilite wheel bearing  
 436B--L-bolt for pocket guides  
 436DRL--Disc pocket guides (pair)  
 436RL--Reg. pocket guides (pair)  
 436RLX--Model 33-6000 guides  
 445--Double neoprene gripper  
 450--Pocket frame  
 452--Pocket attaching bolt  
 452D--Bolt to attach pocket to #396 disc  
 453--1/4x2" Upright after 1992  
 454--Galvanized spring holder  
 460N--Floating clamp for #22C  
 460N 4x7--Floating clamp for 4x7  
 462--11 Tooth wheel sprocket  
 475--Shoe for peat pot planter  
 476--Peat pot pocket  
 477--Peat pot pocket spring  
 478--Peat pot pocket extension  
 482B--Bolt for pocket extension  
 482N--Nut for pocket extension  
 482W--Washer for pocket extension  
 520--Chain tightener arms  
 521--Roll pin  
 522--Clip pin  
 523--Clevis pin for 520 arm  
 524--Cotter pin  
 529--Scraper blade (ea)  
 529W--Wide wheel scraper blade  
 529WP--Wide wheel scraper plastic only  
 530--Scraper mounting bracket  
 533--Wheel scraper complete

### Water Valve Parts

600--Water valve complete  
 602--1-1/4" U-bolt (before '88)  
 602-89--1-1/4" U-bolt w/nuts (after 1988)  
 602C-- U-bolt clamp  
 603--Water valve rocker & cam  
 603W--Washer for water cam spring  
 603D--#603 for pocket disc  
 604--Water adjustment bracket (before '88)

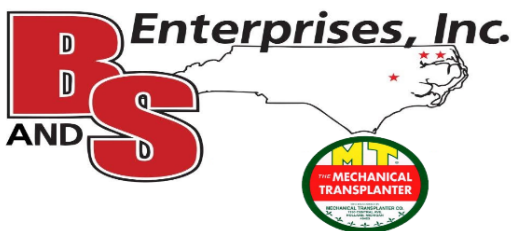
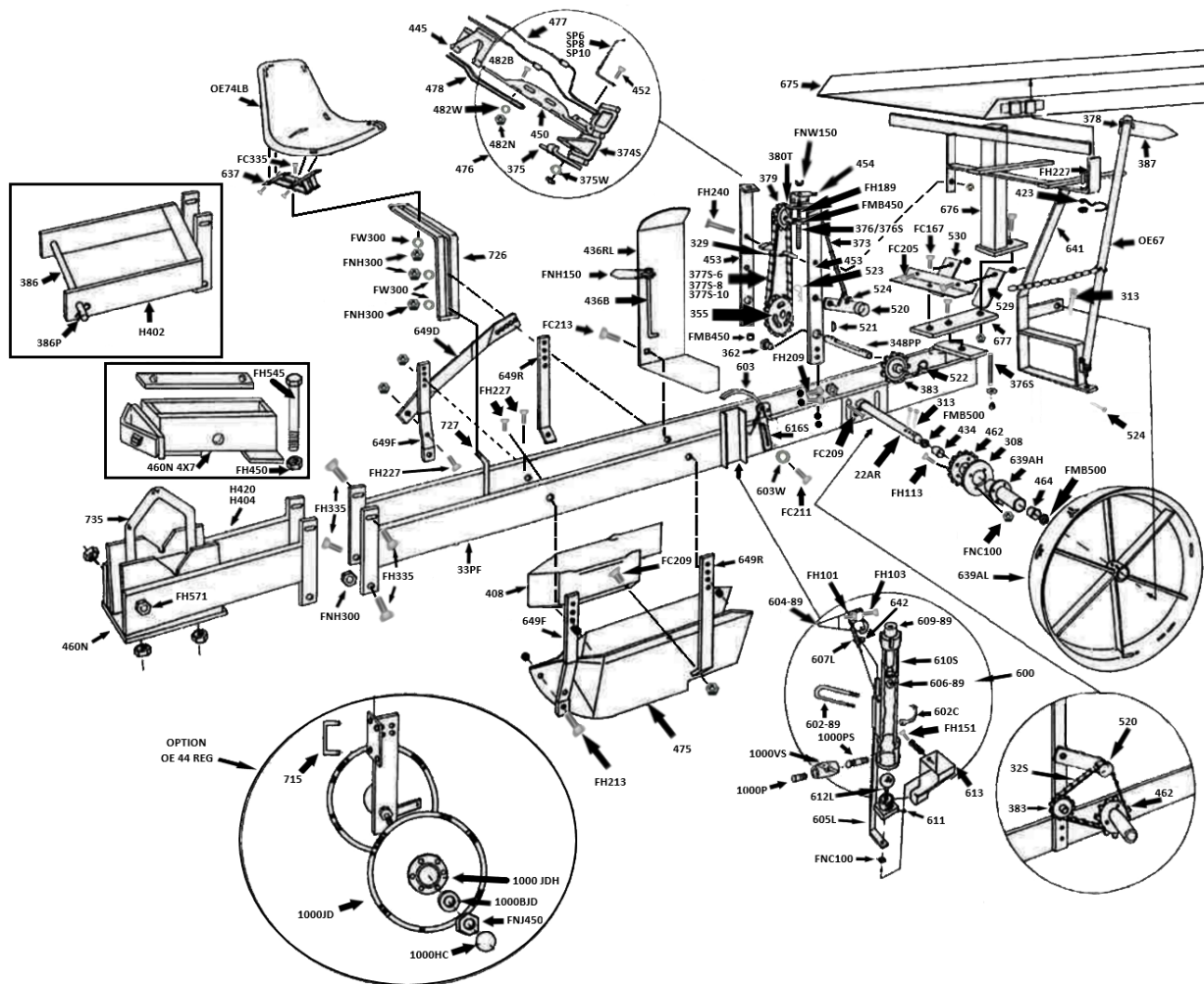
### Part#--Description:

604-89--Water adjustment bracket (after '88)  
 605--Water trip rod  
 605L--Water trip rod and ball (after 2000)  
 606--1-1/4" Valve housing w/tee (before '88)  
 606-89--1-1/2" Water pump housing(after '88)  
 607--Water trip spring (before '88)  
 607L--Long water trip spring  
 609--Cap w/rubber seat (before '88)  
 609-89--1-1/2" Cap w/rubber seat after '88  
 610--Air valve float ball (before '88)  
 610S--Solid air valve float ball  
 611--Nylon water valve seat  
 612--Ball valve with brass pin (before 2000)  
 612L--Ball valve w/brass pin (after 2000)  
 613--Water valve spout  
 616--#603 Cam spring before '88  
 616S--#603 Cam spring to use with 603W  
 630--55 Gallon barrel hoop (each)  
 632--14" Coulters blade w/bearing  
 632-12--12" Coulters blade with hub  
 633--Coulters blade hub  
 633PS--Coulters pipe spacer (3-5/8")  
 633PS 1000--Coulters pipe spacer (4-3/4")  
 634--Cultivator tooth only  
 634U--Cultivator U-bolt  
 635--Cultivator/gauge wheel clamp  
 637--Fiberglass seat bracket  
 639A--Adjustable packing wheel & hub  
 639AH--Adjustable packing wheel hub  
 639AL--Adjustable packing wheel l/hub  
 639WAL--Wide adjustable packing wheel l/hub  
 639AHDD--Direct drive adjustable hub  
 641--Wide plant stand (each)  
 642--Plastic cover for #605  
 643--Clamps for row knockers  
 643 4x7--Clamp for 4x7 row knocker  
 643T--Clamp for 2-1/2" row knocker  
 649R--Rear Shoe Brace for 395R  
 649F--Front Shoe Brace for 395R  
 649D--Diagonal Shoe Brace for 395R  
 658--Row Knocker Blade Only  
 659--OE 65 bracket only  
 661--Left side arm of OE-71  
 662--Right side arm of OE-71  
 668--B855 barrel mount base bracket  
 668T--Barrel mount saddle  
 669--B850 barrel mount base bracket  
 673--OE 65 1000 Bracket Only  
 675--Tray for peat pot planter  
 676--"T" support for tray  
 677--Bracket for tray support and scraper  
 715--3/8" U-bolt for D.D. and coulters  
 725--1/2" U-Bolt for OE-78 Clamps & Cult.  
 726--L Seat Bracket (after 1983)  
 726U--1/2" U-bolt for toolbar clamps  
 727--1/2" U Bolt for L-Seat Bracket  
 735--3/4" U Bolt for 460N Clamp  
 740--7/8" U Bolt for A-Frames, 1000 & 6000  
 837L--5/16" Lg. J-Bolt for foot rest & 800  
 1000AL--Axle for #1000 - Left Side  
 1000AR--Axle for #1000 - Right Side  
 1000B--Double Disc Bearing(before 1992)  
 1000BJD--Double Disc Bearing(after 1992)

1000HC--Double Disc Hub Cap  
 1000JD--Double Disc with Hub  
 1000JDH--Hub with Fasteners for 1000JD  
 1000P--Single Thread Nipple  
 1000PS--3/4" Close Nipple  
 1000VS--Water Valve Shut Off  
 9017--Gauge wheel tire and rim  
 9020--Right gauge wheel bracket  
 9021--Left gauge wheel bracket  
 FC167--5/16x2" Carriage bolt  
 FC205--3/8x3/4" Carriage bolt  
 FC209--3/8x1" Carriage bolt  
 FC211--3/8x1-1/4" Carriage bolt  
 FC213--3/8x1-1/2" Carriage bolt  
 FC335--1/2x1-1/2" Carriage bolt

FC343--1/2x2-1/2" Carriage bolt  
 FH101--1/4x1/2" Hex head cap screw  
 FH103--1/4x5/8" Hex head cap screw  
 FH113--1/4x1-1/2" Hex head cap screw  
 FH151--5/16x1/2" Hex head cap screw  
 FH179--5/16x3-5/8" Hex head cap screw  
 FH189--5/16x5-1/2" Hex head cap screw  
 FH209--3/8x1" Hex head cap screw  
 FH213--3/8x1-1/2" Hex head cap screw  
 FH227--3/8x3-1/4" Hex head cap screw  
 FH240--3/8x5-1/2" Hex head cap screw (sp)  
 FH335--1/2x1-1/2" Hex head cap screw  
 FH339--1/2x2" Hex head cap screw  
 FH343--1/2x2-1/2" Hex head cap screw  
 FH363--1/2x6" Hex head cap screw

FH545--3/4x9" Hex head cap screw  
 FH571--7/8x4-1/2" Hex head cap screw  
 FH649--1x9-1/2" Hex head cap screw  
 FMB450--3/4" Machinery bushing  
 FMB500--7/8" Machinery bushing  
 FNC100--1/4" Centerlock hex nut  
 FNH150--5/16 Finished hex nut  
 FNH300--1/2" Finished hex nut  
 FNH450--3/4" Finished hex nut  
 FNJ450--3/4" Jam nut  
 FNW150--5/16" Wing nut  
 FW300--1/2" USS flat washer  
 SP-V3--Spacing bar support for 6 pocket  
 SP-6--Separating bar for 6 pocket chain  
 SP-8--Separating bar for 8 pocket chain  
 SP-10--Separating bar for 10 & 12 pocket chain



# MODEL 33

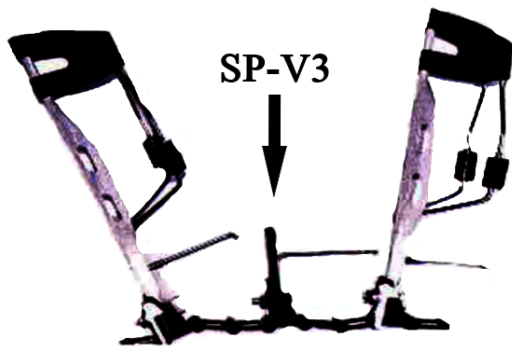






CHAIN SPACING CHART FOR REAR DRIVE UNITS					
No. of Teeth on Sprocket	7	8	9	10	11
No. of Pockets on Chain <b>10 Pockets</b>	Sets 12"	Sets 14"	Sets 16"	Sets 18"	Sets 20"
	30.48cm	35.56cm	40.64cm	45.72cm	50.8cm
<b>8 Pockets</b>	16"	18"	20"	22"	24"
	40.64cm	45.72cm	50.8cm	55.88cm	60.96cm
<b>6 Pockets</b>	20"	22"	24"	26"	28"
	50.8cm	55.88cm	60.96cm	66.04cm	71.12cm
<b>5 Pockets</b>	24"	28"	32"	36"	40"
	60.96cm	71.12cm	81.28cm	91.44cm	101.6cm
<b>4 Pockets</b>	32"	36"	40"	44"	48"
	81.28cm	91.44cm	101.6cm	111.76cm	121.92cm
<b>3 Pockets</b>	40"	44"	48"	52"	56"
	101.6cm	111.76cm	121.92cm	132.08cm	142.24cm
<b>2 Pockets</b>	64"	72"	80"	88"	96"
	162.56cm	182.88cm	203.2cm	223.52cm	243.84cm

USE FOR MODELS 22, 22C, 33, 122, 222 & CT-5



**SP-V3 SPACING BAR SUPPORT**  
FOR A 12 POCKET CHAIN BEING USED  
AS A 6 POCKET CHAIN (MODEL 1000)

SPACING CHART FOR DIRECT DRIVE UNIT WITH 12 POCKET CHAIN						
SPROCKET ON OUTSIDE OF JACKSHAFT	SPROCKET ON INSIDE OF JACKSHAFT	NUMBER OF TEETH ON SPROCKET ON UNIT				
		7	8	9	10	11
<b>7</b>	<b>11</b>	6"	6 1/2-7"	7 1/2-8"	8 1/2"	9"
		15.2cm	17.8cm	20.3cm	21.6cm	22.8cm
<b>7</b>	<b>7</b>	9"	10 1/2"	13"	15"	16"
		22.8cm	26.7cm	33cm	38.1cm	40.6cm
<b>8</b>	<b>7</b>	10 1/2"	12 1/2"	14"	15"	16"
		26.7cm	31.7cm	35.5cm	38.1cm	40.5cm
<b>9</b>	<b>7</b>	12"	13 1/2"	15"	17"	18 1/2"
		30.5cm	34.3cm	38.1cm	43.2cm	47cm
<b>10</b>	<b>7</b>	13"	14"	15 1/2"	17 1/2"	20 1/2"
		33cm	35.5cm	39.4cm	44.5cm	52cm
<b>11</b>	<b>7</b>	15"	18"			
		38.1cm	45.7cm			

DOUBLE ANY OF THE ABOVE SPACING BY USING EVERY OTHER POCKET(6 POCKET). MAKE SURE HITCH & UNIT ARE LEVEL TO GROUND WHEN PLANTING.

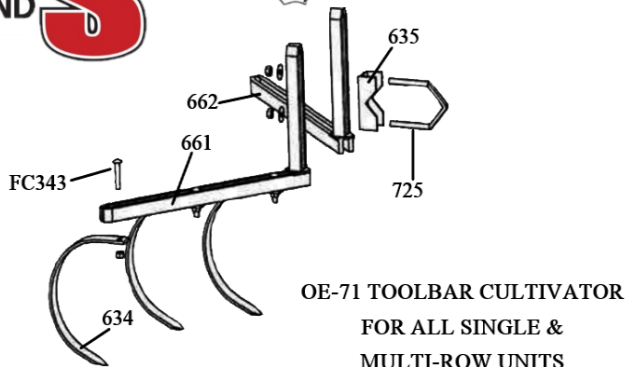
USE FOR MODELS 1000 & 33-6000



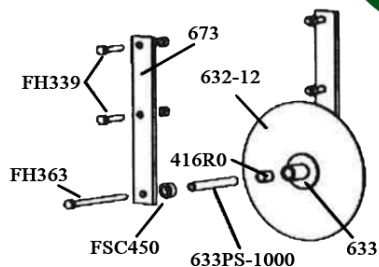
8 Pocket disc (shown above with V-3 style pockets)  
 10 & 12 Pockets discs available.

DISC SPACING CHART FOR REAR DRIVE UNITS					
No. of Teeth on Sprocket	7	8	9	10	11
No. of Pockets on Disc	Sets	Sets	Sets	Sets	Sets
24 R-2 Pockets	2" 5.08cm	2 1/2" 6.35cm	3" 7.62cm	3 1/2" 8.89cm	4" 10.16cm
20 R-2 Pockets	3" 7.62cm	3 1/2" 8.89cm	4" 10.16cm	4 1/2" 11.43cm	5" 12.7cm
16 R-2 Pockets	4" 10.16cm	4 1/2" 11.43cm	5" 12.7cm	5 1/2" 13.97cm	6" 15.24cm
12 V-3 Pockets	4 1/2" 11.43cm	5" 12.7cm	5 1/2" 13.97cm	6" 15.24cm	6 1/2" 16.51cm
10 V-3 Pockets	5 1/2" 13.97cm	6 1/4" 15.875cm	7" 17.78cm	7 3/4" 19.685cm	8 1/2" 21.59cm
8 V-3 Pockets	7" 17.78cm	7 3/4" 19.685cm	8 1/2" 21.59cm	9 1/4" 23.495cm	10" 25.4cm
6 V-3 Pockets	9" 22.86cm	10" 25.4cm	11" 27.94cm	12" 30.48cm	13" 33.02cm
5 V-3 Pockets	11" 27.94cm	12 1/2" 31.75cm	14" 35.56cm	15 1/2" 39.37cm	17" 43.18cm
4 V-3 Pockets	14" 35.56cm	15 1/2" 39.37cm	17" 43.18cm	18 1/2" 46.99cm	20" 50.8cm
3 V-3 Pockets	18" 45.72cm	20" 50.8cm	22" 55.88cm	24" 60.96cm	26" 66.04cm

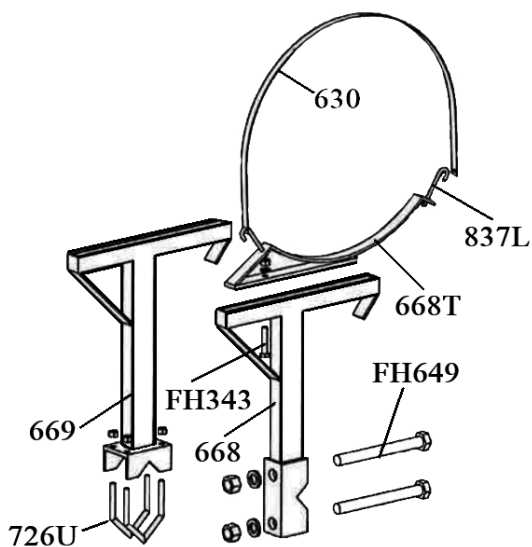
Use for Models 122, 22, 22C, 222, 33, SU-3 & 500



**OE-71 TOOLBAR CULTIVATOR**  
FOR ALL SINGLE &  
MULTI-ROW UNITS

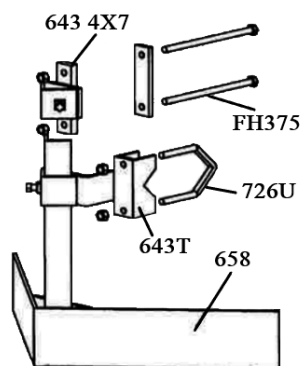


**OE-65-1000 SINGLE DISC OPENER ASSEMBLY**  
FOR MODEL 33-6000



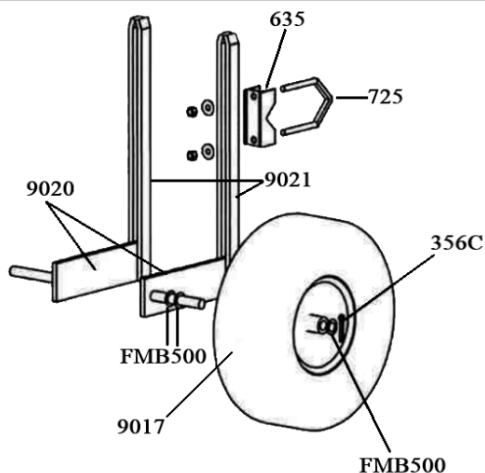
**B850 TOOLBAR  
BARREL MOUNT**  
FOR NON DIRECT DRIVE  
UNITS MODELS 22C & 122

**B855 TOOLBAR  
BARREL MOUNT**  
FOR DIRECT DRIVE UNITS  
MODEL1000

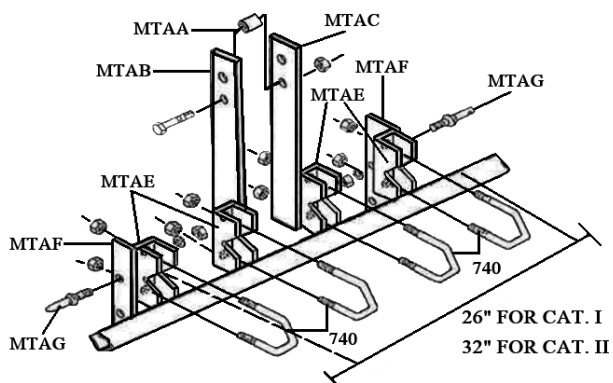


**OE-66T ROW KNOCKER**  
FOR 2 1/2" DIAMOND TOOLBAR

**OE-66 4X7 ROW KNOCKER**  
FOR 4X7" TOOLBAR



**OE-78 TOOLBAR GAUGE WHEELS**



**MT-A: A FRAME HITCH**