

Mechanical Transplanter



Parts List For Models

22, 22C, 122, 222, 1000 &
Float Wheel Direct Drive System



Part#--Description:

10--Inside chain guard
11--63 Link direct drive chain
12--Direct tire & rim
14--Outside chain guard
15--Chain guard clip pin
16--3/8" U-bolt w/nuts
18--Unit chain tightener bracket
19--Chain tightener pipe bearing - short
22--Unit chain tightener arm
22AL--Left axle for 22 planter
22AR--Right axle for 22 planter
23--Washer to hold spring
24--Chain tightener pipe bearing - long
26--Pipe spacer
27--Sprocket jackshaft
30--Wheel chain tightener pipe bearing
31--Drive frame of unit end
32--Wheel chain tightener spring
32S--Steel drive chain (21 Links)
32F--Steel drive chain (per ft.)
33--Wheel chain tightener arm
35--Lift chain
38--Wheel hub w/sprocket
39--Drive frame of toolbar end
40--Left clamp less U-bolt
41--34 Link direct drive chain
42--Right clamp less U-bolt
43--Bushing for clamp
44--Chain lift plate
45--Left 4x7 direct drive clamp
46--Right 4x7 direct drive clamp
47--Plate for 4x7 direct drive clamp
51S--Steel drive chain (per ft.)
328--3/4" Flange block bearing
329--Pipe spacer between uprights
334S--Guide for pocket (disc)
347--3/4" Lower sprocket shaft before 1983
348--3/4" Shaft w/4 holes (rear drive)
348DD--3/4" Lower shaft for direct drive
355--Lower sprocket
355T--Top sprocket for Model 1000
355DD--14 Tooth sprocket for direct drive
356--7/8" Packing wheel axle (before '90)
356C--Packer wheel axle cotter pin
362--Nylon bushing for lower shaft
373--Chain tightener spring
374S--Pocket attachment link
375--Water trip
375W--Water trip washer
376--Tension spring (8 pocket)
376S--Tension spring (10 & 12 pocket)
377S 6--Chain for 6 pocket chain
377S 8--Chain for 8 pocket chain
377S 10--Chain for 10 pocket chain
377S 12--Chain for 12 pocket chain
379--Upper conveyor sprocket
380--Upper sprocket shaft
380T--Top sprocket shaft (after 1992)
381 6--6 Tooth spacing sprocket
381--7 Tooth spacing sprocket
382--8 Tooth spacing sprocket
383--9 Tooth spacing sprocket
384 --10 Tooth spacing sprocket
385--11 Tooth spacing sprocket
386P--Shaft clip pin
386--Direct drive (drawbar) shaft
387--Marker blade

Part#--Description:

392--Hose Clamp
393--Hose nipple
394--Water hose 1" (per ft.)
395--Blunt point 7" shoe
395 6"--6" Round point shoe
395 8"--8" Round point shoe
395 8P--Poly 8" shoe
395R 9"--9" Round point shoe
395 CT5SP--Shoe point for CT-4,CT-5 & CT-8
395R--7" Round point shoe
395RP--Poly 7" shoe
395RPK--Poly kit for round point shoe
396 10--10 Pocket disc (with 407's)
396 8--8 Pocket disc (with 407's)
396D--Disc less pockets for 8 or 10 pockets
396D 12--Disc less pockets for 12 pockets
400 24"--24" Corrugated hose
400 36"--36" Corrugated hose
407--Roller water trip
408--Dirt shield
408DD--Double disc shoe dirt shield
411--R-2 spring assembly
411S--Screw for R-2 spring
415--Sprocket drive pins
415L--Longer sprocket pin
416--3/4" Oilite bearing
416R--3/4" Reamed out bearing for coulters
419--1/2" Pin for 420R & 421L tighteners
420R--Chain tightener RH
421L--Chain tightener LH
422--Yoke for marker pipe
423--Spring hook for markers
424--Upper sprocket bearing
428--Top bracket for uprights
430--Scraper mounting bracket
433--Wheel scraper complete
434--7/8" Oilite wheel bearing
435--Gauge wheel bearing
436B--L-bolt for pocket guides
436DRL--Disc pocket guides (pair)
436RL--Reg. pocket guides (pair)
436RLX--Model 1000 guides
440--Spring with rollers
445--Double neoprene gripper
450--Pocket frame
452--Pocket attaching bolt
452D--Bolt to attach pocket to #396 disc
453--1/4x2" Upright after 1992
454--Galvanized spring holder
460N--Floating clamp for #22C
460N 4x7--Floating clamp for 4x7
460R--Floating clamp for #22
461--J-bolt for wheel sprocket
462--11 Tooth wheel sprocket
470--Hitch pin w/clip pin
471--1-1/4" Tank hose for #800
471R--#471 Hose reducer on Model 800
482--Cube extension for pocket
520--Chain tightener arms
520C--Tightener conversion kit
521--Roll pin
522--Clip pin
523--Clevis pin for 520 arm
524--Cotter pin
529--Scraper blade (ea)
529W--Wide wheel scraper blade
529WP--Wide wheel scraper plastic only

Part#--Description:

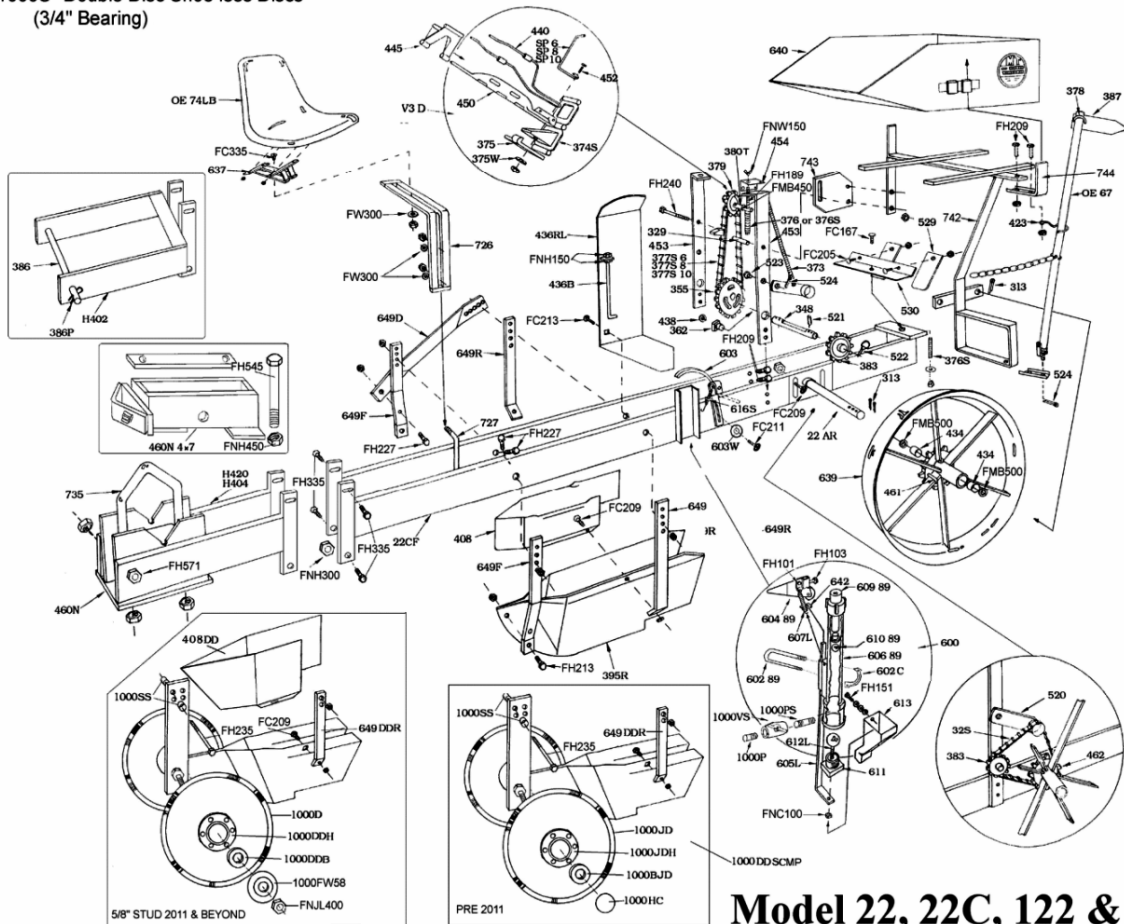
530--Scraper mounting bracket
533--Wheel scraper complete
Water Valve Parts
600--Water valve complete
602--1-1/4" U-bolt (before '88)
602-89--1-1/4" U-bolt w/nuts (after 1988)
602C-- U-bolt clamp
603--Water valve rocker & cam
603W--Washer for water cam spring
603D--#603 for pocket disc
604--Water adjustment bracket (before '88)
604-89--Water adjustment bracket (after '88)
605L--Water trip rod (after 2000)
606--1-1/4" Valve housing w/tee (before '88)
606-89--1-1/2" Water pump housing(after '88)
607--Water trip spring (before '88)
607L--Long water trip spring
608--1-1/4" Cap w/air vent
609--Cap w/rubber seat (before '88)
609-89--1-1/2" Cap w/rubber seat after '88
610--Air valve float ball (before '88)
610S--Solid air valve float ball (after '88)
611--Nylon water valve seat
612--Ball w/brass pin (before 2000)
612L--Ball with brass pin (after 2000)
613--Water valve spout
614--Brass air vent before '88
616--#603 Cam spring before '88
616S--#603 Cam spring to use with 603W
630--60 Gallon barrel hoop (each)
632--14" Coultter blade w/bearing
632-12--12" Coultter blade with hub
633--Coultter blade hub
633PS--Coultter pipe spacer (3-5/8")
634--Cultivator tooth only
634U--Cultivator U-bolt
635--Cultivator/gauge wheel clamp
637--Fiberglass seat bracket
638--Jack for trailer tongues
639--Packing wheel w/sprocket
639L--Direct drive packing wheel l/sprocket
639W--Wide packing wheel w/sprocket
639A--Adjustable packing wheel & hub
639AH--Adjustable packing wheel hub
639AL--Adjustable packing wheel l/hub
639WAL--Wide adjustable packing wheel l/hub
639AHDD--Direct drive adjustable hub
640--Wide plant box (16") (each)
640N--Narrow plant box (13") (each)
641--Wide plant stand (each)
641N--Narrow plant stand
642--Plastic cover for #605
643--Clamps for row knockers
643 4x7--Clamp for 4x7 row knocker
643T--Clamp for 2-1/2" row knocker
649R--Rear Shoe Brace for 395R
649F--Front Shoe Brace for 395R
649D--Diagonal Shoe Brace for 395R
649DDR--Rear Shoe Brace for Double Disc
654--604 Roller Assembly
658--Row Knocker Blade Only
659--OE 65 bracket only
660--OE 64 bracket only
661--Left Side Arm of OE 71
662--Right Side Arm of OE 71
663--Left Bracket for OE 78
664--Right Bracket for OE 78



- 665--Gauge Wheel
- 666--Gauge Wheel Rim Only
- 667--OE 62 Bracket Only
- 668--B855 Barrel Mounting Holder
- 669--B850 Barrel Mounting Holder
- 673--OE 65 1000 Bracket Only
- 715--3/8" U-bolt for D.D. and coulters
- 720--3/8" Rect. Bend U-Bolt for water feeder
- 725--1/2" U-Bolt for OE-78 Clamps & Cult.
- 726--L Seat Bracket (after 1983)
- 726U--1/2" U-bolt for toolbar clamps
- 727--1/2" U Bolt for L-Seat Bracket
- 735--3/4" U Bolt for 460N Clamp
- 740--7/8" U Bolt for A-Frames, 1000 & 6000
- 837--5/16" J-bolts for Barrel Straps
- 837L--5/16" Lg. J-Bolt for foot rest & 800
- 1000AL--Axle for #1000 - Left Side
- 1000AR--Axle for #1000 - Right Side
- 1000B--Double Disc Bearing(before 1992)
- 1000BJD--Double Disc Bearing(after 1992)
- 1000DDS--Double Disc Shoe w/discs
- 1000DDSCMP--Double Disc Complete w/braces and dirt shield
- 1000DDSP--Poly Double Disc Shoe w/discs
- 1000DDSPCMP--Poly Double Disc Complete w/braces and dirt shield
- 1000DDSPK--Poly Kit for DD Shoe
- 1000HC--Double Disc Hub Cap
- 1000JD--Double Disc with Hub
- 1000JDH--Hub with Fasteners for 1000JD
- 1000P--Single Thread Nipple
- 1000PF--Planter Frame for #1000
- 1000PS--3/4" Close Nipple
- 1000S--Double Disc Shoe less Discs (3/4" Bearing)

- 1000S--Double Disc Shoe less Discs
- 1000SP--Poly Double Disc Shoe less Discs
- 1000SS--Double Disc Shoe Spacer
- 1000VS--Water Valve Shut Off
- Pockets**
- V-3-6-8-10--Pocket Complete W/Separating Bar (Nylon Rollers)
- V-3D--Pocket Complete Less Separating Bar W/Nylon Rollers
- SP-6-8-10--Separating Bar for 6, 8, 10 or 12 Pocket Chain
- CA-6--6 Pocket Chain Complete w/water
- CA-8--8 Pocket Chain Complete w/ water
- CA-10--10 Pocket Chain Complete w/water
- CA-12--12 Pocket Chain Complete w/water
- R-2--Nprne. Gripper for All R-2 Pockets
- WF--Fasteners w/Screws for R-2 Pckts (pr)
- D,6,8 or 10 R-2--Pckt Cpte. (prior to 61)*
- 24-R-2--Pocket for 24 Pocket Bed Planter
- Changeover Kits From Chain To Disc**
- CDWO 8--8 Pocket Kit W/O Pockets
- CDW 8--8 Pocket Kit W/Pockets
- CDWO 10--10 Pocket Kit W/O Pockets
- CDW 10--10 Pocket Kit W/Pockets
- From Disc To Chain**
- DCW 8--8 Pocket Kit W/Pockets
- DCW 10--10 Pocket Kit W/Pockets
- MT A Frame Parts**
- MT AA--A Frame Top Spacer
- MT AB--A Frame Right Upright
- MT AC--A Frame Left Upright

- MT AE--A Frame Righth Bracket
- MT AF--A Frame Left Bracket
- MT AG--Cat. I Pin
- MT AG2--Cat II Pin (NS)
- FASTENERS**
- FC167--5/16x2" Carriage bolt
- FC205--3/8x3/4" Carriage bolt
- FC209--3/8x1" Carriage bolt
- FC211--3/8x1-1/4" Carriage bolt
- FC213--3/8x1-1/2" Carriage bolt
- FC335--1/2x1-1/2" Carriage bolt
- FH101--1/4x1/2" Hex head cap screw
- FH103--1/4x5/8" Hex head cap screw
- FH151--5/16x1/2" Hex head cap screw
- FH189--5/16x5/2" Hex head cap screw
- FH209--3/8x1" Hex head cap screw
- FH213--3/8x1-1/2" Hex head cap screw
- FH227--3/8x3-1/4" Hex head cap screw
- FH235--3/8x4-1/2" Hex head cap screw
- FH240--3/8x5-1/2" Hex head cap screw (sp)
- FH335--1/2x1-1/2" Hex head cap screw
- FH545--3/4x9" Hex head cap screw
- FH571--7/8x4-1/2" Hex head cap screw
- FMB450--3/4" Machinery bushing
- FMB500--7/8" Machinery bushing
- FNC100--1/4" Centerlock hex nut
- FNH300--1/2" Finished hex nut
- FNH450--3/4" Finished hex nut
- FNJ450--3/4" Jam nut
- FNW150--5/16" Wing nut
- FW300--1/2" USS flat washer



Model 22, 22C, 122 & 222

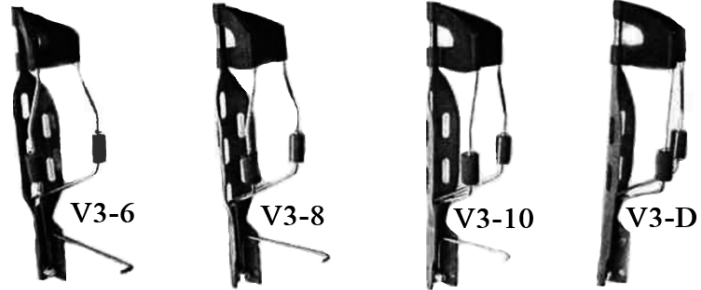
V3 Style Pockets

The V3-6 and SP-6 are used on 6 pocket chains

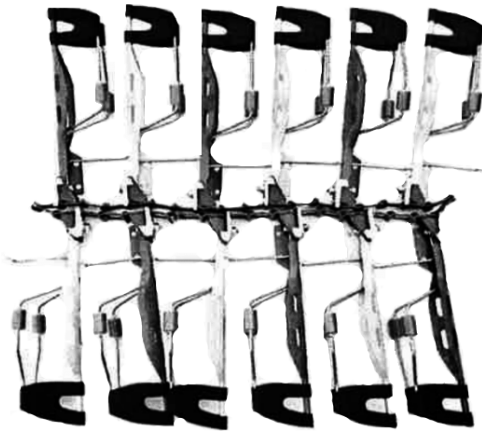
The V3-8 and SP-8 are used on 8 pocket chains.

The V3-10 and SP-10 are used on 10 and 12 pocket chains.

The V3-D is used on disc units or used to replace pockets that do not need new spacing bars.



SP-6 SP-8 SP-10
 (Used on 10 & 12 pocket chains)



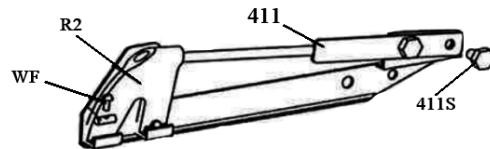
6, 8, or 10 pocket chains are used on Models 22, 22C & 122. These models are driven off from the rear packing wheels.

12 pocket chains (pictured on left) are used on th Model 1000 which is driven from the front Direct Drive tire.

CHAIN SPACING CHART FOR REAR DRIVE UNITS					
No. Teeth on Sprocket-	7	8	9	10	11
No. of Pockets on Chain	Sets 12"	Sets 14"	Sets 16"	Sets 18"	Sets 20"
10 POCKETS	30.48cm	35.56cm	40.64cm	45.72cm	50.8cm
8 POCKETS	16"	18"	20"	22"	24"
	40.64cm	45.72cm	50.8cm	55.88cm	60.96cm
6 POCKETS	20"	22"	24"	26"	28"
	50.8cm	55.88cm	60.96cm	66.04cm	71.12cm
5 POCKETS	24"	28"	32"	36"	40"
	60.96cm	71.12cm	81.27cm	91.44cm	101.6cm
4 POCKETS	32"	36"	40"	44"	48"
	81.28cm	91.44cm	101.6cm	111.76cm	121.92cm
3 POCKETS	40"	44"	48"	52"	56"
	101.6cm	111.76cm	121.92cm	132.08cm	142.24cm
2 POCKETS	64"	72"	80"	88"	96"
	162.65cm	182.88cm	203.2cm	223.52cm	243.84cm

USE FOR MODELS 22, 22C, 33, 122, 222 & CT-5

R2 STYLE POCKET



- Specify Number of Pocket on Unit.
- DR-2, 6R-2, 8R-2, 10R-2, were used on units prior to 1961.
- 24R-2 are currently used on Model 500 & 525 Bed Planter Units.

SPACING CHART FOR DIRECT DRIVE UNIT 12 POCKET CHAIN

Sprocket on Outside of Jackshaft	Sprocket on Inside of Jackshaft	NUMBER OF TEETH ON SPROCKET ON UNIT				
		7	8	9	10	11
7	11	6"	6 1/2 - 7"	7 1/2 - 8"	8 1/2"	9"
		15.2 cm	17.8 cm	20.3 cm	21.6 cm	22.8 cm
7	7	9"	10 1/2"	13"	15"	16"
		22.8 cm	26.7 cm	33 cm	38.1 cm	40.6 cm
8	7	10 1/2"	12 1/2"	14"	15"	16"
		26.7 cm	31.7 cm	35.5 cm	38.1 cm	40.6 cm
9	7	12"	13 1/2"	15"	17"	18 1/2"
		30.5 cm	34.3 cm	38.1 cm	43.2 cm	47 cm
10	7	13"	14"	15 1/2"	17 1/2"	20 1/2"
		33 cm	35.5 cm	39.4 cm	44.5 cm	52 cm
11	7	15"	18"			
		38.1 cm	45.7 cm			

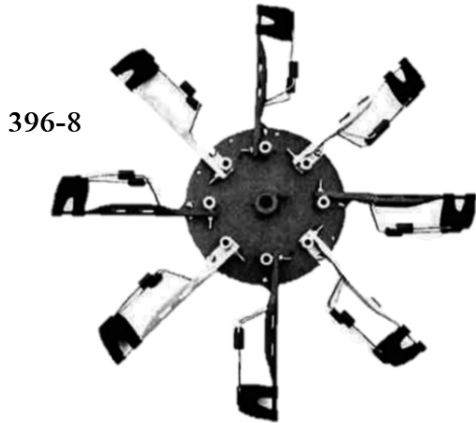
Double any of the above spacings by using every other pocket (6 pocket). Make sure HITCH and UNIT are level or parallel to the ground when planting

USE FOR MODELS 1000 & 33-6000



445C Gripper Clip

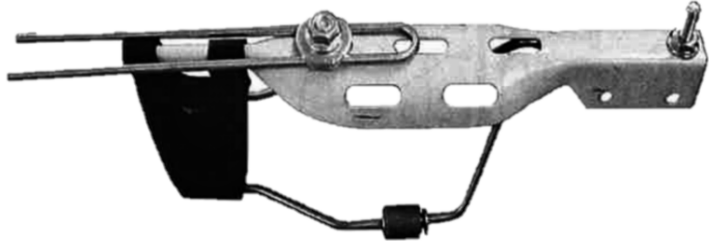
Eliminates gap at the V of the gripper for small stemmed plants. Requires two clips per pocket.



8 pocket discs (shown above), 10 pocket & 12 pocket discs use the V3 style pocket. The 16, 20 & 24 use the R2 style pocket.

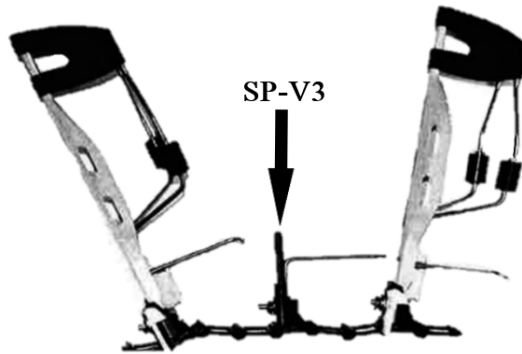
DISC SPACING CHART FOR MODELS WITH DIRECT DRIVE							
Sprocket on OUTSIDE of Jackshaft	Sprocket on INSIDE of Jackshaft	Number of Pockets on the Disc	Number of Teeth on Sprocket by Disc				
			7	8	9	10	11
7	7	24		2"	2 1/4"	2 1/2"	2 3/4"
		16	3"	3 1/4"	3 1/2"	4"	4 1/2"
		12		4 3/4"	5 1/4"	5 3/4"	6 1/4"
8	7	24		2 1/2"	3"	3 1/4"	3 1/2"
		16	3 1/2"	3 3/4"	4 1/4"	4 1/2"	5 1/4"
		12		6"	6 1/4"	6 3/4"	7"
9	7	24	2 1/2"	2 3/4"	3 1/4"	3 1/2"	4"
		16	3 3/4"	4 1/4"	4 1/2"	5"	5 1/2"
		12	4 1/2"	6 1/4"	6 1/2"	7 1/4"	8"
10	7	24	2 1/2"	3"	3 1/2"	3 3/4"	4 1/2"
		16	3 3/4"	4 1/2"	5 1/4"		
		12	5 1/4"	6"	7"	7 1/2"	8 1/2"
11	7	24	2 1/2"	3"	3 1/2"	4 1/4"	4 3/4"
		16	4"	5"	6"		
		12	5 1/2"	6 1/2"	7 1/2"	9"	10"

Use for Models 525, 1000 & 33-6000 with disc mounted pockets



482 Cube Extension

For cell type plants, Consists of the U-shaped spring wire, washer, bolt & nut



SP-V3 SPACING BAR SUPPORT

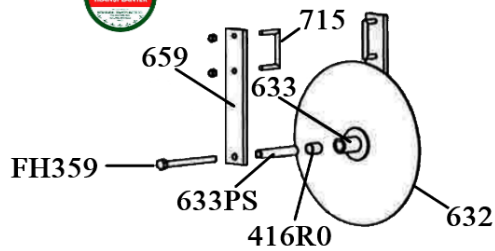
For a 12 Pocket chain being used in place of a 6 pocket chain (MODEL 1000)

DISC SPACING CHART FOR REAR DRIVE UNITS					
No. of Teeth on Sprocket	7	8	9	10	11
No. of Pockets on Disc	Sets	Sets	Sets	Sets	Sets
	24 R-2 Pockets	2"	2 1/2"	3"	3 1/2"
	5.08cm	6.35cm	7.62cm	8.89cm	10.16cm
20 R-2 Pockets	3"	3 1/2"	4"	4 1/2"	5"
	7.62cm	8.89cm	10.16cm	11.43cm	12.7cm
16 R-2 Pockets	4"	4 1/2"	5"	5 1/2"	6"
	10.16cm	11.43cm	12.7cm	13.97cm	15.24cm
12 V-3 Pockets	4 1/2"	5"	5 1/2"	6"	6 1/2"
	11.43cm	12.7cm	13.97cm	15.24cm	16.51cm
10 V-3 Pockets	5 1/2"	6 1/4"	7"	7 3/4"	8 1/2"
	13.97cm	15.875cm	17.78cm	19.685cm	21.59cm
8 V-3 Pockets	7"	7 3/4"	8 1/2"	9 1/4"	10"
	17.78cm	19.685cm	21.59cm	23.495cm	25.4cm
6 V-3 Pockets	9"	10"	11"	12"	13"
	22.86cm	25.4cm	27.94cm	30.48cm	33.02cm
5 V-3 Pockets	11"	12 1/2"	14"	15 1/2"	17"
	27.94cm	31.75cm	35.56cm	39.37cm	43.18cm
4 V-3 Pockets	14"	15 1/2"	17"	18 1/2"	20"
	35.56cm	39.37cm	43.18cm	46.99cm	50.8cm
3 V-3 Pockets	18"	20"	22"	24"	26"
	45.72cm	50.8cm	55.88cm	60.96cm	66.04cm

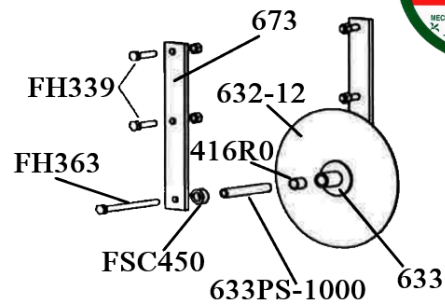
Use for Models 122, 22, 22C, 222, 33, SU-3 & 500



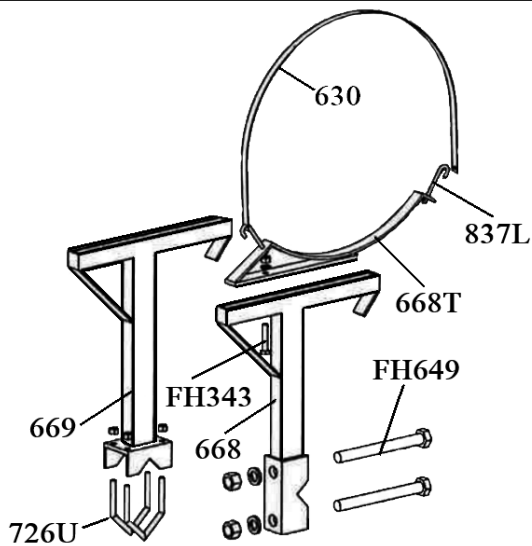
OPTIONAL EQUIPMENT



**OE-65 SINGLE DISC OPENER ASSEMBLY
FOR MODELS 22C & 122**

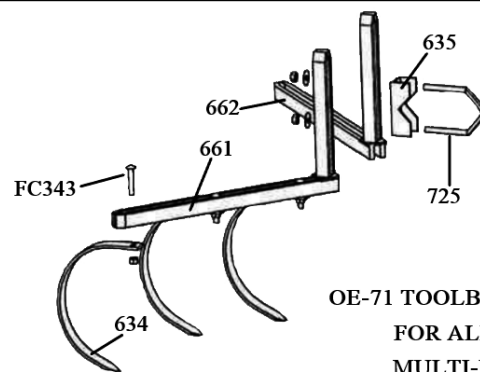


**OE-65-1000 SINGLE DISC OPENER ASSEMBLY
FOR MODEL 1000 ONLY**

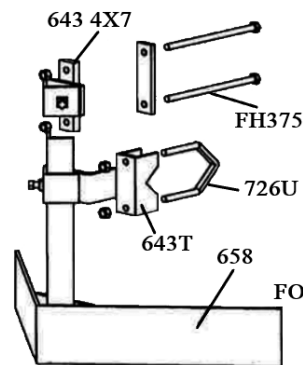


**B850 TOOLBAR
BARREL MOUNT
FOR NON DIRECT DRIVE
UNITS MODELS 22C & 122**

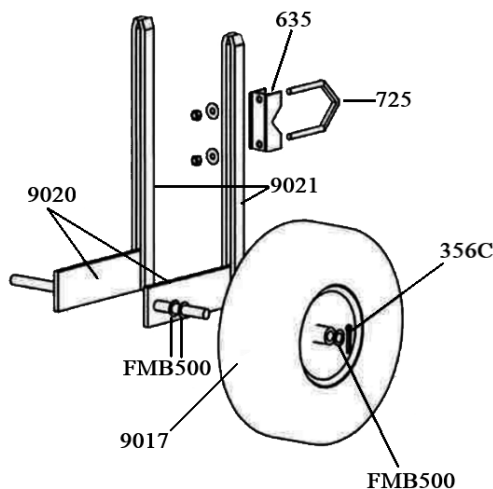
**B855 TOOLBAR
BARREL MOUNT
FOR DIRECT DRIVE UNITS
MODEL 1000**



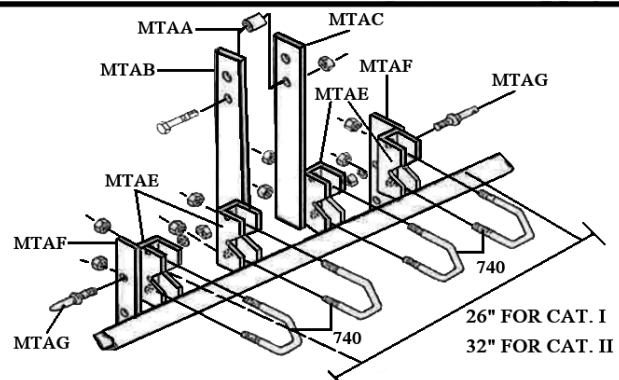
**OE-71 TOOLBAR CULTIVATOR
FOR ALL SINGLE &
MULTI-ROW UNITS**



**OE-66T ROW KNOCKER
FOR 2 1/2" DIAMOND TOOLBAR
OE-66 4X7 ROW KNOCKER
FOR 4X7" TOOLBAR**



OE-78 TOOLBAR GAUGE WHEELS



MT-A: A FRAME HITCH