

Mechanical Transplanter Co.

MODEL 1100 Parts List

<u>Part Number</u>	<u>Description:</u>	<u>Part Number</u>	<u>Description:</u>
12	Direct drive tire & rim (22x11x8 knobby)	5552	20 tooth spacing gear
15	Chain guard clip pin	5553	22 tooth spacing gear
31	Main frame of rear half	5554	24 tooth spacing gear
32	Wheel chain tightener spring	5563-6	Close spacing chain add on - #40 x 6P
35	1/4 X 15" chain for direct drive	5565	Direct drive mounting plate
38	Wheel hub w/sprocket	94847	Unit drive chain - #40 x 185P
39	Main frame of front half	11101	Hex packing wheel bearing
40	Left clamp less U-Bolt	11102	Packing wheel hub with bearings
42	Right clamp less U-Bolt	11106	Bearing spacer
43	Shoulder bushing	11108	Upper conveyor sprocket (12T)
44	Chain lift plate	11109	Lower conveyor sprocket (10T)
47	4 X 7/7 X 7 securing plate	11110	Upright for conveyor chain for Model 1100
48	Left 4x4/4x7 direct drive clamp	11111	Tightener for conveyor chain for Model 1100
49	Right 4x4/4x7 direct drive clamp	11112	1100 series chain tightener bracket
328	3/4" flange block	11113	Chain tightener pivot
373	Chain tightener spring	11114	Swivel pipe
375	Water trip	11115	Top sprocket shaft
375W	Water trip washer	11116	Lower sprocket jackshaft
376S	Tension spring (10 & 12 pocket)	11130	Wheel scraper complete
377R-555ML	CA555 Connector pin & cotter	11137	16 attachment roller conveyor chain
386	Shaft/Axle/Hitch bar	11138	Lynch pin for 1100/5500 spacing sprockets
386P	Shaft clip pin	11139	Drive pin
395DDS	Double disc shoe with discs (5/8" bearing)	11142	15 tooth spacing gear
395DDSP	Poly double disc shoe with discs (5/8" bearing)	11144	17 tooth spacing gear
395R	7" round point shoe	11149	1100ls Unit drive chain - #40 x 146P
440	Pocket spring with UHMW rollers	11150	Direct drive jackshaft
445	Rubber gripper for V-3 pocket	11151	1100 direct drive guard
450	Pocket main frame	11152	1100 outside direct drive chain guard
452	Pocket attaching bolt	11153	Inside direct drive unit guard
529WP	Wide wheel scraper plastic only	11154	Front line shaft chain guard
530	Wheel scraper mounting bracket	11155	1100 Chain tightener arm only
639RB	Regular packing wheel for roller bearing sleeve	11160	Parallel link - model 1100
649NL	Left side shoe mount/shield	11161	1100LS 7/8 Hex-18 tooth sprocket
649NLDD	Left double disc shoe shield	11100AL	Left hex axle
649NR	Right side shoe mount / shield	11100AR	Right hex axle
649NRDD	Right double disc shoe shield	11100PF	1100 frame
740	7/8" V-bend U-bolt with nuts	11102LB	Hex packing wheel hub less bearings
1000SS	Double disc shoe spacer	11105RL	Pair of pocket guides for 1100
1925	Chain tightener sprocket only	11112P	UHMW chain tightener lining
4672	1/2 moon woodruff key	11130L	Left 1100 wheel scraper extension
4740	Counter balance clip	11130R	Right 1100 wheel scraper extension
5019	Mounting bracket	11152LS	Line shaft outside guard
5024B	3/4 oilite bearing for scissor hitch	11153LS	Line shaft inside guard
5031	1/4 X 3/4 flat head stainless steel	CA-16	Complete 16 pocket chain with water trips
5077	Double sprocket cluster chain - #40 x 80P	FCK113	1/4 X 1-1/2 cotter key
5090	EZ-17 - 7 coil spring (rt hand)	OE61RB	Rubber packing wheel for roller bearing
5090R	EZ 17 - 7 coil left hand spring	SP-16	Pocket spacer 16 pocket roller chain
5113	7/8" hex flange block	V-3D	Pocket complete less separating bar
5149	Pin for mounting front chain guard		



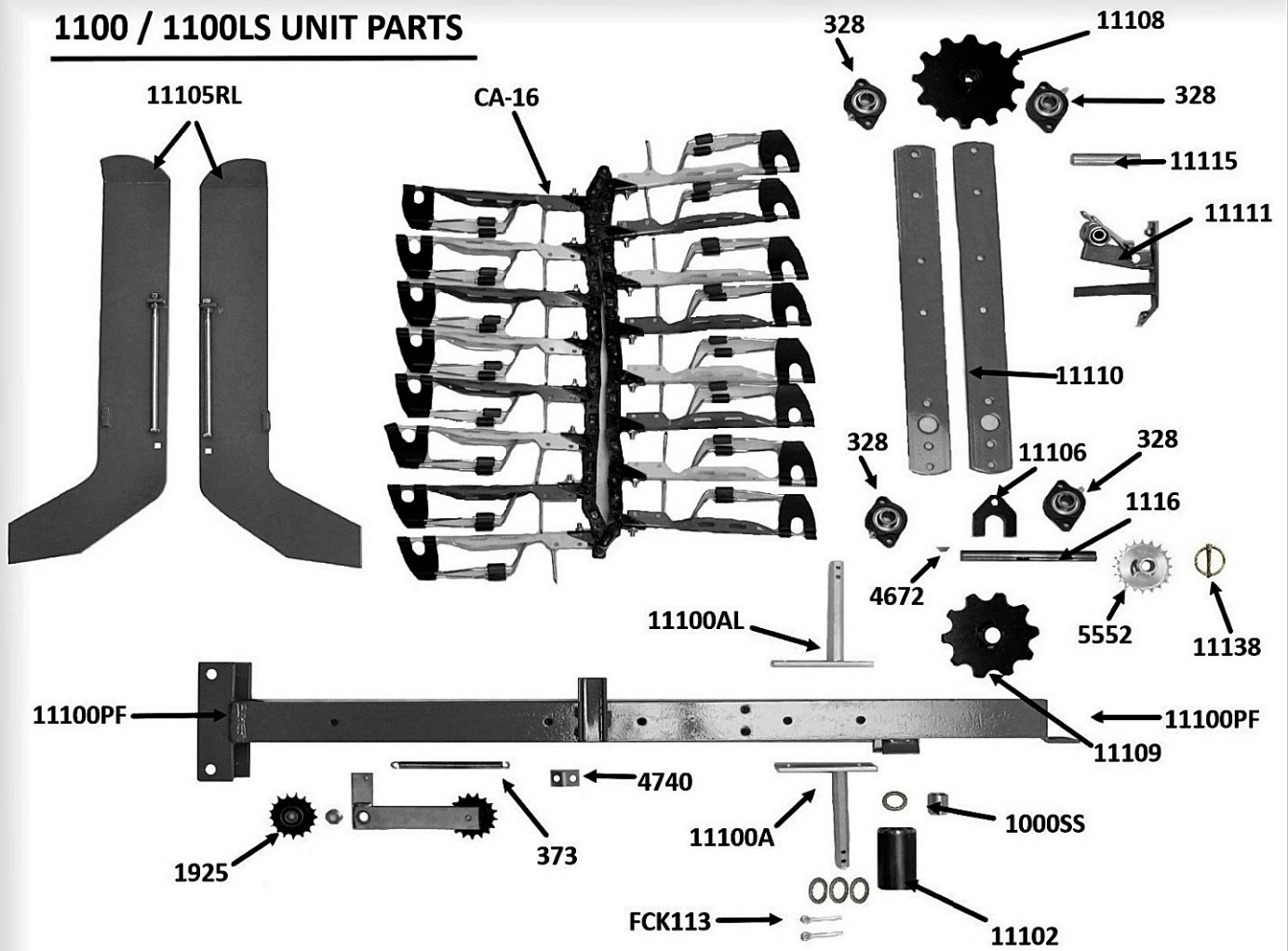
1395 US Hwy 17 South
Elizabeth City, NC 27909
Phone: (252)264-2400

147 Hwy 32 North
Sunbury, NC 27979
Phone: (252)465-8614

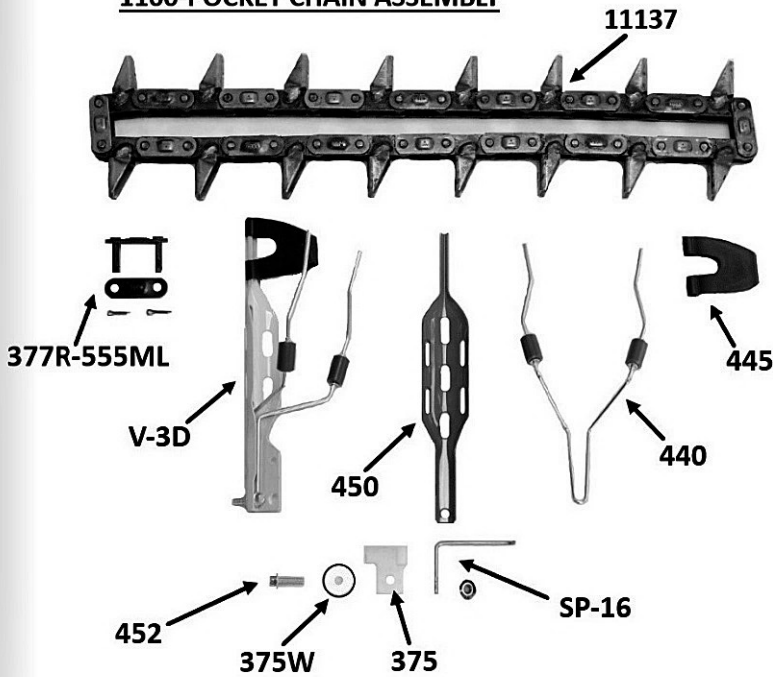
5038 Old Raleigh Road
Wilson, NC 27893
Phone: (252)237-0006



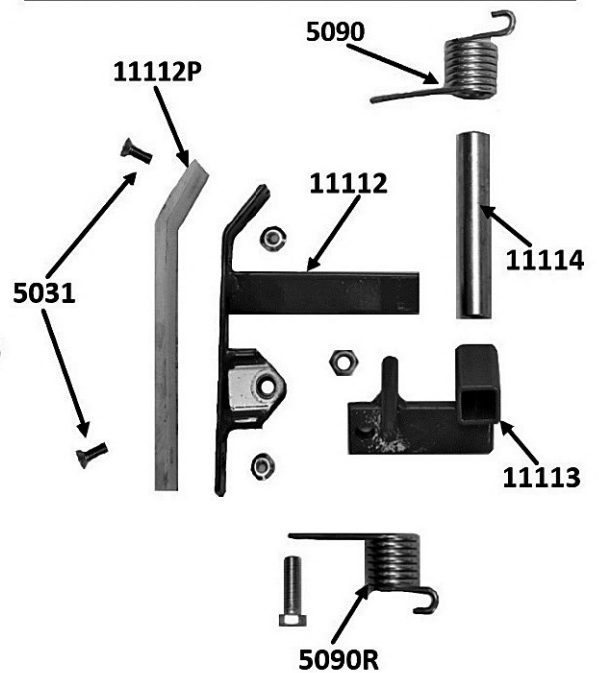
1100 / 1100LS UNIT PARTS



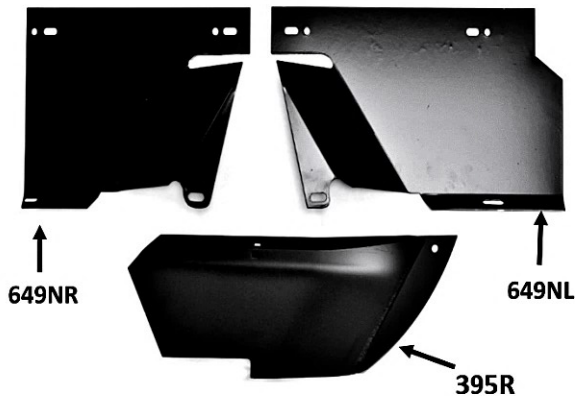
1100-POCKET CHAIN ASSEMBLY



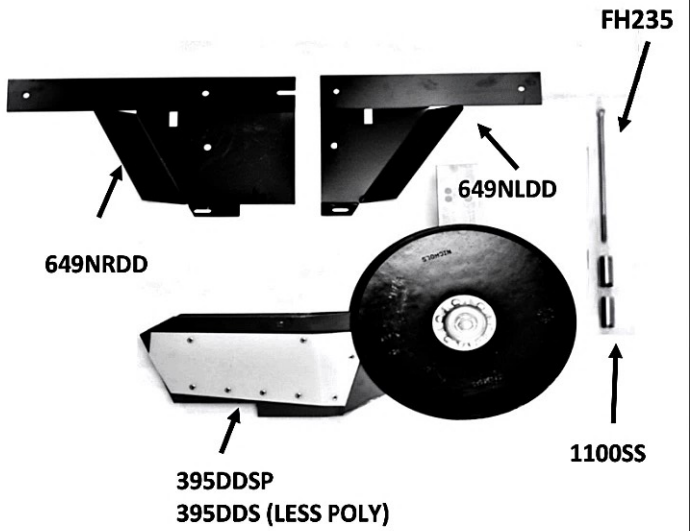
11111 - POCKET CHAIN TIGHTENER ASSEMBLY



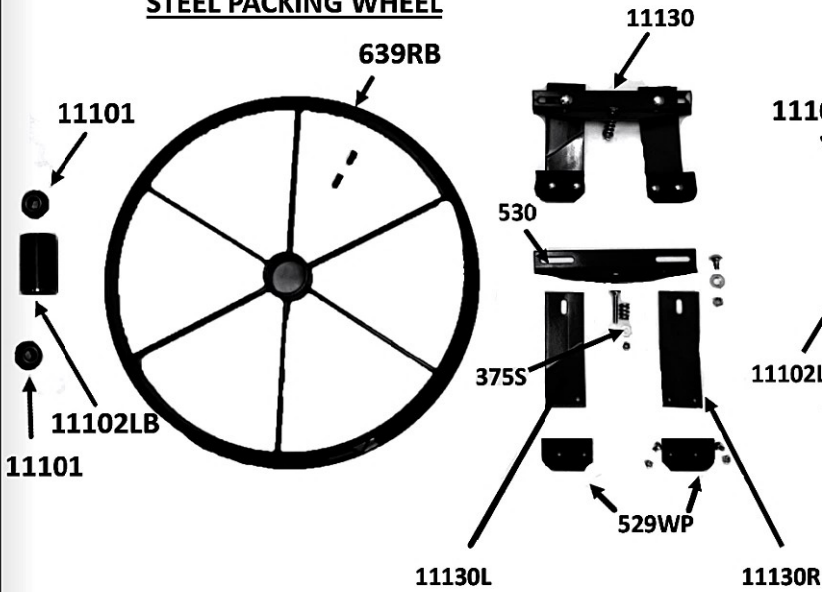
ROUND POUNT SHOE PARTS



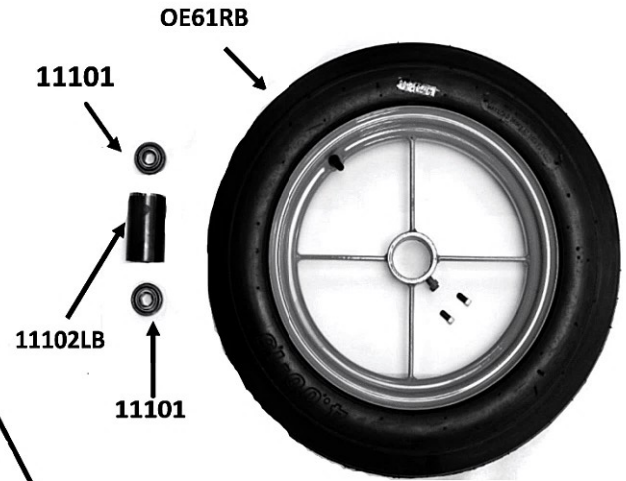
DOUBLE DISC SHOE PARTS



STEEL PACKING WHEEL



RUBBER PACKER PARTS



482 CUBE EXTENSION



SP-V3 SPACING BAR SUPPORT



1100LS DRIVE AND HITCH

